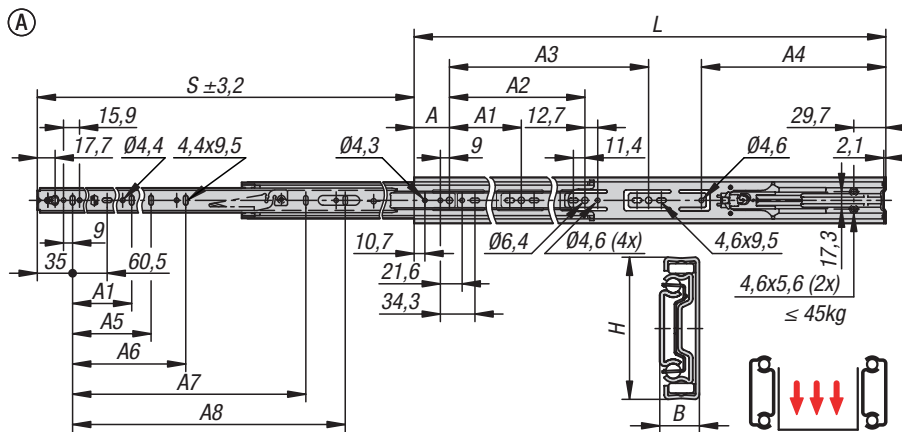
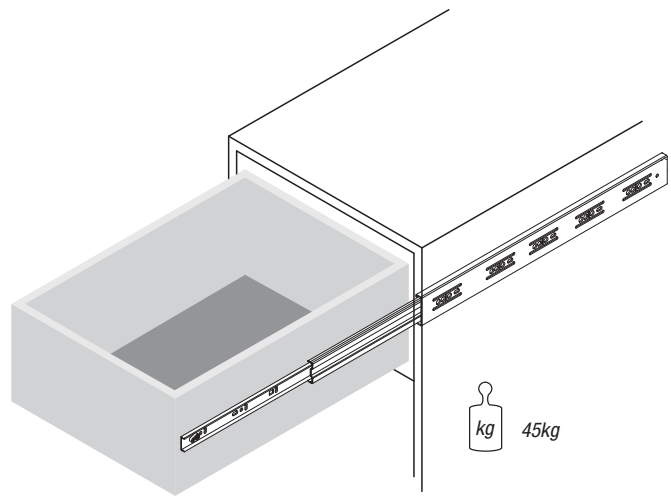


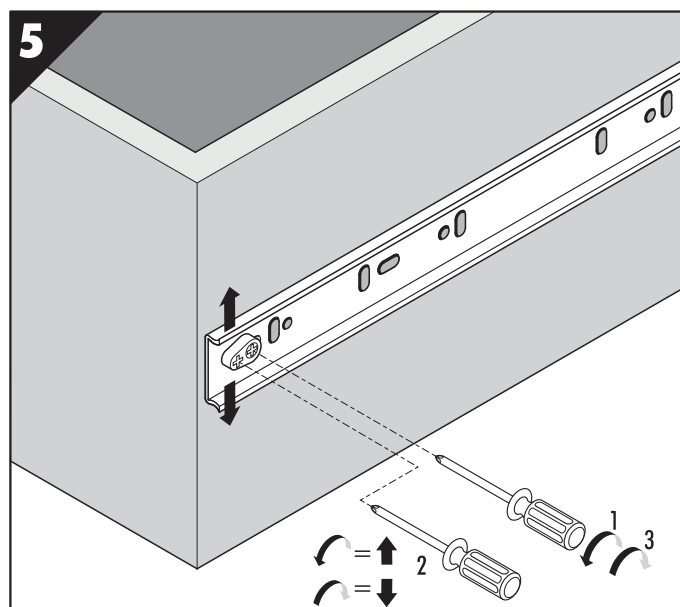
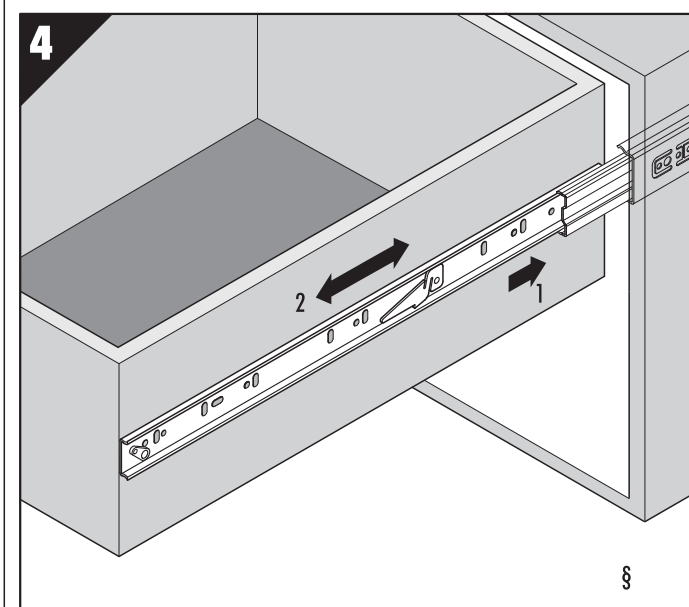
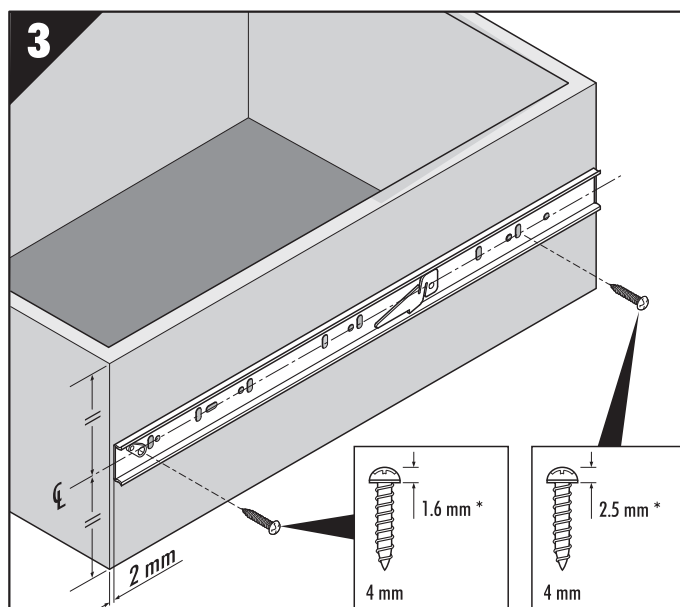
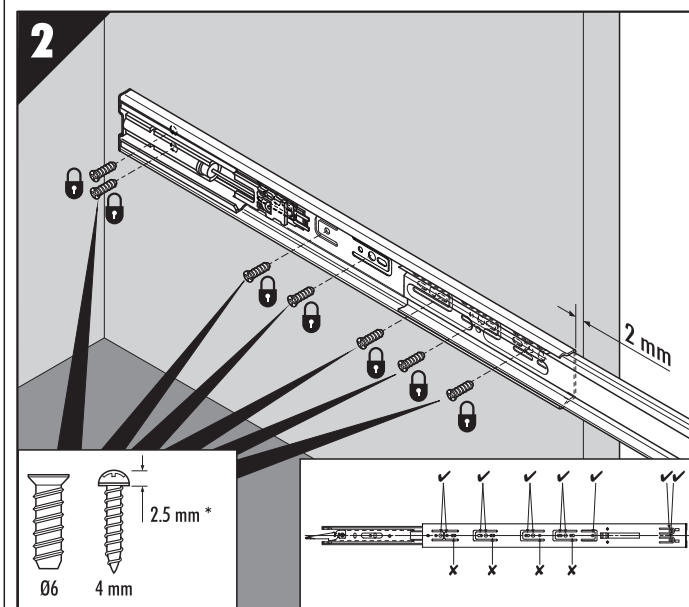
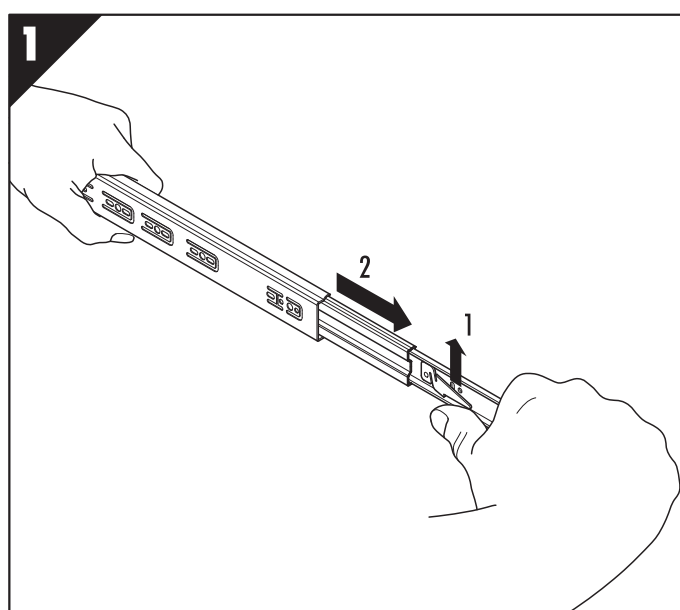
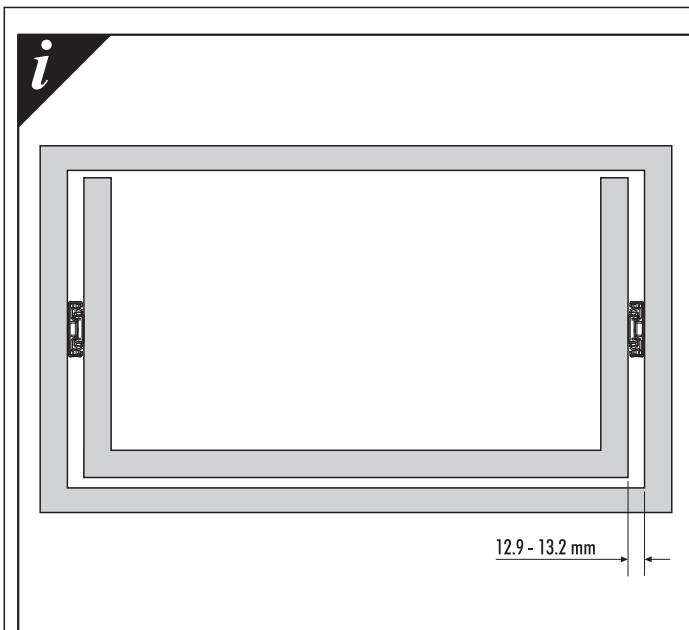
| Bestellnummer | Form | Form-Typ | Montage | Produkttyp | Tragkraft pro Paar (80.000 Zyklen) kg | Verpackungsart |
|----------------|------|------------|------------------|------------|---------------------------------------|------------------|
| 21334-15-10350 | A | Soft close | Montage seitlich | Standard | 43 | 1 Stück = 1 Paar |
| 21334-15-10400 | A | Soft close | Montage seitlich | Standard | 44 | 1 Stück = 1 Paar |
| 21334-15-10450 | A | Soft close | Montage seitlich | Standard | 45 | 1 Stück = 1 Paar |
| 21334-15-10500 | A | Soft close | Montage seitlich | Standard | 45 | 1 Stück = 1 Paar |
| 21334-15-10550 | A | Soft close | Montage seitlich | Standard | 45 | 1 Stück = 1 Paar |
| 21334-15-10600 | A | Soft close | Montage seitlich | Standard | 45 | 1 Stück = 1 Paar |
| 21334-15-10650 | A | Soft close | Montage seitlich | Standard | 44 | 1 Stück = 1 Paar |
| 21334-15-10700 | A | Soft close | Montage seitlich | Standard | 43 | 1 Stück = 1 Paar |

| Bestellnummer | A | A1 | A2 | A3 | A4 | A5 | A6 | A7 | A8 | B | H | Hub S | L |
|----------------|----|-----|-----|-----|-------|-----|-----|-----|-----|------|------|-------|-----|
| 21334-15-10350 | 35 | - | - | - | 180,8 | - | - | 206 | - | 12,7 | 45,7 | 310 | 350 |
| 21334-15-10400 | 35 | 128 | - | - | 180,8 | - | - | 257 | - | 12,7 | 45,7 | 406 | 400 |
| 21334-15-10450 | 35 | 128 | 224 | - | - | - | - | 305 | - | 12,7 | 45,7 | 457 | 450 |
| 21334-15-10500 | 35 | 128 | 224 | - | 180,8 | - | - | 352 | - | 12,7 | 45,7 | 508 | 500 |
| 21334-15-10550 | 35 | 128 | 224 | - | 180,8 | - | - | 407 | 352 | 12,7 | 45,7 | 559 | 550 |
| 21334-15-10600 | 35 | 128 | 224 | 352 | - | 224 | - | - | 416 | 12,7 | 45,7 | 610 | 600 |
| 21334-15-10650 | 35 | 128 | 224 | 352 | 180,8 | 224 | - | - | 416 | 12,7 | 45,7 | 660 | 650 |
| 21334-15-10700 | 35 | 128 | 224 | 352 | 180,8 | 224 | 288 | - | 544 | 12,7 | 45,7 | 711 | 700 |



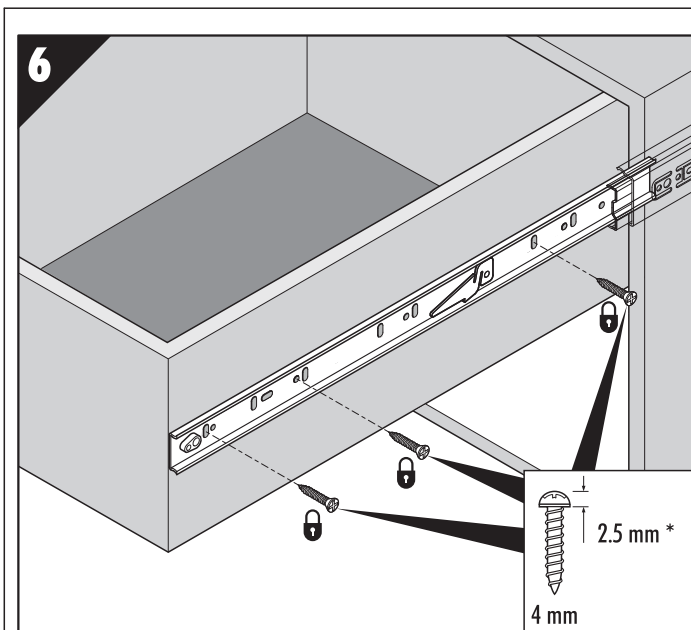
| Order No. | Form | Form-Type | Assembly | Product type | Load capacity per pair (80,000 cycles) kg | Packaging type |
|----------------|------|------------|---------------|--------------|---|------------------|
| 21334-15-10350 | A | Soft close | side mounting | standard | 43 | 1 piece = 1 pair |
| 21334-15-10400 | A | Soft close | side mounting | standard | 44 | 1 piece = 1 pair |
| 21334-15-10450 | A | Soft close | side mounting | standard | 45 | 1 piece = 1 pair |
| 21334-15-10500 | A | Soft close | side mounting | standard | 45 | 1 piece = 1 pair |
| 21334-15-10550 | A | Soft close | side mounting | standard | 45 | 1 piece = 1 pair |
| 21334-15-10600 | A | Soft close | side mounting | standard | 45 | 1 piece = 1 pair |
| 21334-15-10650 | A | Soft close | side mounting | standard | 44 | 1 piece = 1 pair |
| 21334-15-10700 | A | Soft close | side mounting | standard | 43 | 1 piece = 1 pair |

| Order No. | A | A1 | A2 | A3 | A4 | A5 | A6 | A7 | A8 | B | H | Travel S | L |
|----------------|----|-----|-----|-----|-------|-----|-----|-----|-----|------|------|----------|-----|
| 21334-15-10350 | 35 | - | - | - | 180,8 | - | - | 206 | - | 12,7 | 45,7 | 310 | 350 |
| 21334-15-10400 | 35 | 128 | - | - | 180,8 | - | - | 257 | - | 12,7 | 45,7 | 406 | 400 |
| 21334-15-10450 | 35 | 128 | 224 | - | - | - | - | 305 | - | 12,7 | 45,7 | 457 | 450 |
| 21334-15-10500 | 35 | 128 | 224 | - | 180,8 | - | - | 352 | - | 12,7 | 45,7 | 508 | 500 |
| 21334-15-10550 | 35 | 128 | 224 | - | 180,8 | - | - | 407 | 352 | 12,7 | 45,7 | 559 | 550 |
| 21334-15-10600 | 35 | 128 | 224 | 352 | - | 224 | - | - | 416 | 12,7 | 45,7 | 610 | 600 |
| 21334-15-10650 | 35 | 128 | 224 | 352 | 180,8 | 224 | - | - | 416 | 12,7 | 45,7 | 660 | 650 |
| 21334-15-10700 | 35 | 128 | 224 | 352 | 180,8 | 224 | 288 | - | 544 | 12,7 | 45,7 | 711 | 700 |

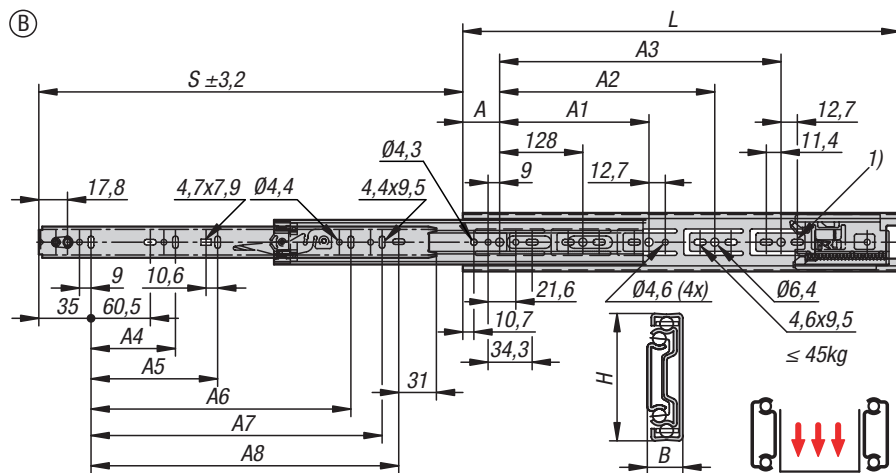
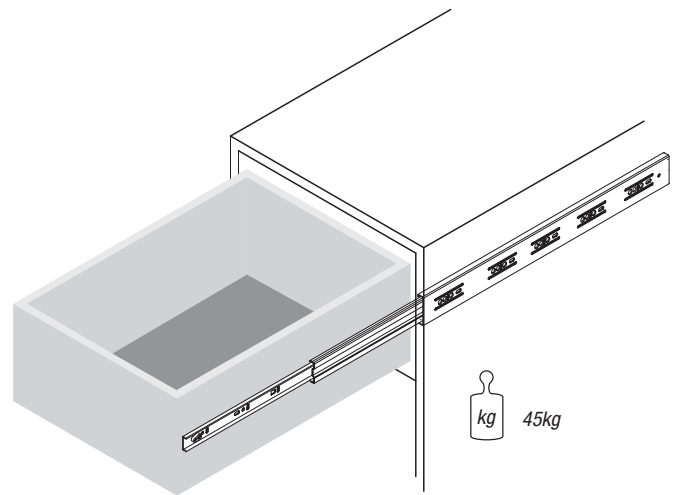


Montageanleitung 21334-15, Form A Installation instruction 21334-15, Form A

DE EN

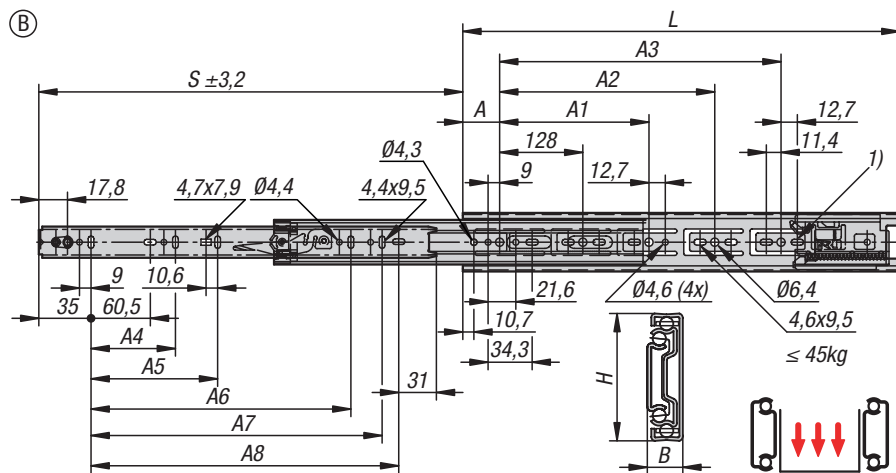
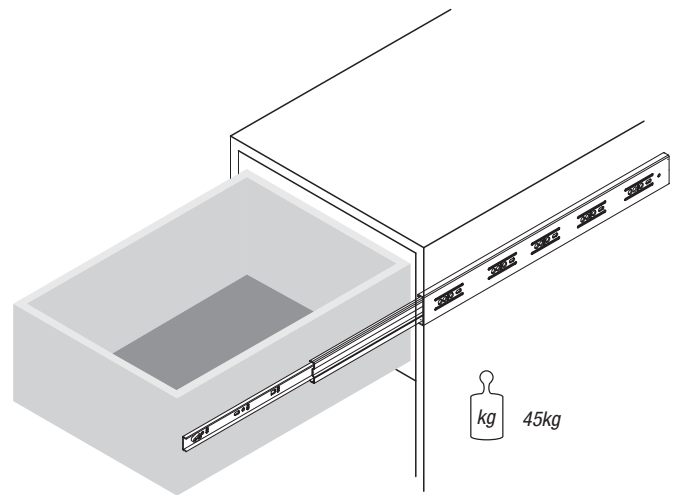


- * *Max.*
Es sind alle Befestigungspositionen zu verwenden, damit der maximale Lastwert erzielt wird.
- § *Hält den Kugelkäfig während der Schubladenbefestigung vorne.*
- * *Max.*
All fixings positions must be used to achieve maximum load.
- § *Hold ball bearing retainer in forward position during installation of drawer.*



| Bestellnummer | Form | Form-Typ | Aktivierungskraft N | Montage | Produkttyp | Tragkraft pro Paar (80.000 Zyklen) kg | Verpackungsart |
|------------------|------|--------------|------------------------|------------------|------------|---|------------------|
| 21334-15-2030022 | B | Push to open | 22 | Montage seitlich | Standard | 42 | 1 Stück = 1 Paar |
| 21334-15-2035022 | B | Push to open | 22 | Montage seitlich | Standard | 43 | 1 Stück = 1 Paar |
| 21334-15-2040022 | B | Push to open | 22 | Montage seitlich | Standard | 44 | 1 Stück = 1 Paar |
| 21334-15-2045022 | B | Push to open | 22 | Montage seitlich | Standard | 45 | 1 Stück = 1 Paar |
| 21334-15-2050022 | B | Push to open | 22 | Montage seitlich | Standard | 45 | 1 Stück = 1 Paar |
| 21334-15-2055022 | B | Push to open | 22 | Montage seitlich | Standard | 45 | 1 Stück = 1 Paar |
| 21334-15-2060022 | B | Push to open | 22 | Montage seitlich | Standard | 45 | 1 Stück = 1 Paar |
| 21334-15-2065022 | B | Push to open | 22 | Montage seitlich | Standard | 44 | 1 Stück = 1 Paar |
| 21334-15-2070022 | B | Push to open | 22 | Montage seitlich | Standard | 43 | 1 Stück = 1 Paar |
| 21334-15-2030035 | B | Push to open | 35 | Montage seitlich | Standard | 42 | 1 Stück = 1 Paar |
| 21334-15-2035035 | B | Push to open | 35 | Montage seitlich | Standard | 43 | 1 Stück = 1 Paar |
| 21334-15-2040035 | B | Push to open | 35 | Montage seitlich | Standard | 44 | 1 Stück = 1 Paar |
| 21334-15-2045035 | B | Push to open | 35 | Montage seitlich | Standard | 45 | 1 Stück = 1 Paar |
| 21334-15-2050035 | B | Push to open | 35 | Montage seitlich | Standard | 45 | 1 Stück = 1 Paar |
| 21334-15-2055035 | B | Push to open | 35 | Montage seitlich | Standard | 45 | 1 Stück = 1 Paar |
| 21334-15-2060035 | B | Push to open | 35 | Montage seitlich | Standard | 45 | 1 Stück = 1 Paar |
| 21334-15-2065035 | B | Push to open | 35 | Montage seitlich | Standard | 44 | 1 Stück = 1 Paar |
| 21334-15-2070035 | B | Push to open | 35 | Montage seitlich | Standard | 43 | 1 Stück = 1 Paar |

| Bestellnummer | A | A1 | A2 | A3 | A4 | A5 | A6 | A7 | A8 | B | H | Hub S | L |
|------------------|----|-----|-----|-----|-----|-----|-----|-----|-----|------|------|----------|-----|
| 21334-15-2030022 | 35 | - | - | - | - | - | - | - | 192 | 12,7 | 45,7 | 305 | 300 |
| 21334-15-2035022 | 35 | 224 | - | - | 128 | - | - | - | 242 | 12,7 | 45,7 | 356 | 350 |
| 21334-15-2040022 | 35 | 224 | 288 | - | 128 | - | - | - | 292 | 12,7 | 45,7 | 406 | 400 |
| 21334-15-2045022 | 35 | 224 | 320 | - | 128 | - | 320 | - | 342 | 12,7 | 45,7 | 457 | 450 |
| 21334-15-2050022 | 35 | 224 | 384 | - | 128 | - | 320 | - | 392 | 12,7 | 45,7 | 508 | 500 |
| 21334-15-2055022 | 35 | 224 | 416 | - | 128 | 224 | 416 | - | 442 | 12,7 | 45,7 | 559 | 550 |
| 21334-15-2060022 | 35 | 224 | 352 | 480 | 128 | 224 | 416 | - | 492 | 12,7 | 45,7 | 610 | 600 |
| 21334-15-2065022 | 35 | 224 | 352 | 512 | 128 | 224 | 416 | 512 | 542 | 12,7 | 45,7 | 660 | 650 |
| 21334-15-2070022 | 35 | 224 | 352 | 544 | 128 | 224 | 416 | 512 | 592 | 12,7 | 45,7 | 711 | 700 |
| 21334-15-2030035 | 35 | - | - | - | - | - | - | - | 192 | 12,7 | 45,7 | 305 | 300 |
| 21334-15-2035035 | 35 | 224 | - | - | 128 | - | - | - | 242 | 12,7 | 45,7 | 356 | 350 |
| 21334-15-2040035 | 35 | 224 | 288 | - | 128 | - | - | - | 292 | 12,7 | 45,7 | 406 | 400 |
| 21334-15-2045035 | 35 | 224 | 320 | - | 128 | - | 320 | - | 342 | 12,7 | 45,7 | 457 | 450 |
| 21334-15-2050035 | 35 | 224 | 384 | - | 128 | - | 320 | - | 392 | 12,7 | 45,7 | 508 | 500 |
| 21334-15-2055035 | 35 | 224 | 416 | - | 128 | 224 | 416 | - | 442 | 12,7 | 45,7 | 559 | 550 |
| 21334-15-2060035 | 35 | 224 | 352 | 480 | 128 | 224 | 416 | - | 492 | 12,7 | 45,7 | 610 | 600 |
| 21334-15-2065035 | 35 | 224 | 352 | 512 | 128 | 224 | 416 | 512 | 542 | 12,7 | 45,7 | 660 | 650 |
| 21334-15-2070035 | 35 | 224 | 352 | 544 | 128 | 224 | 416 | 512 | 592 | 12,7 | 45,7 | 711 | 700 |

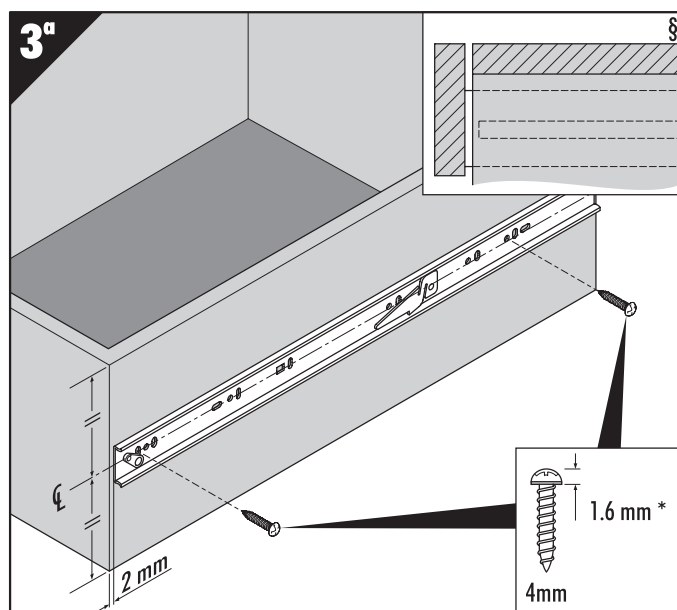
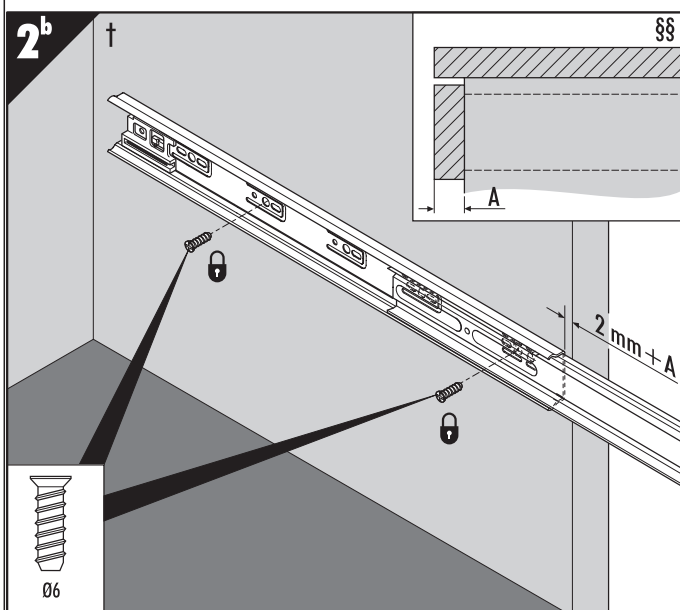
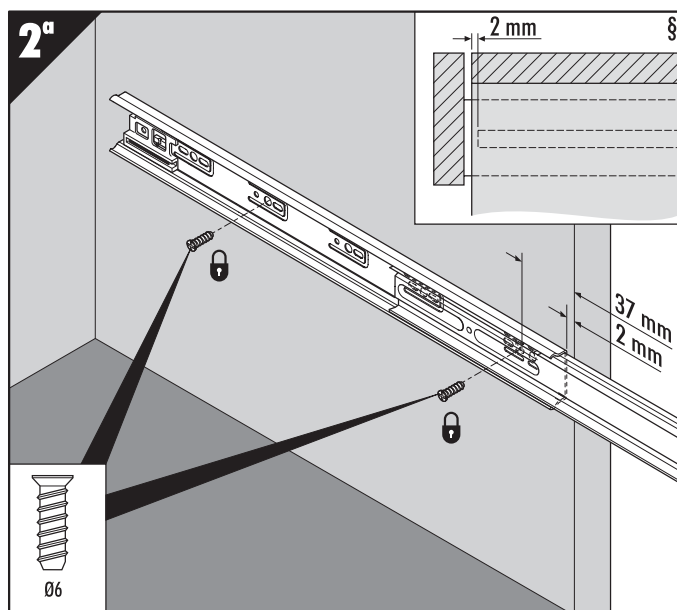
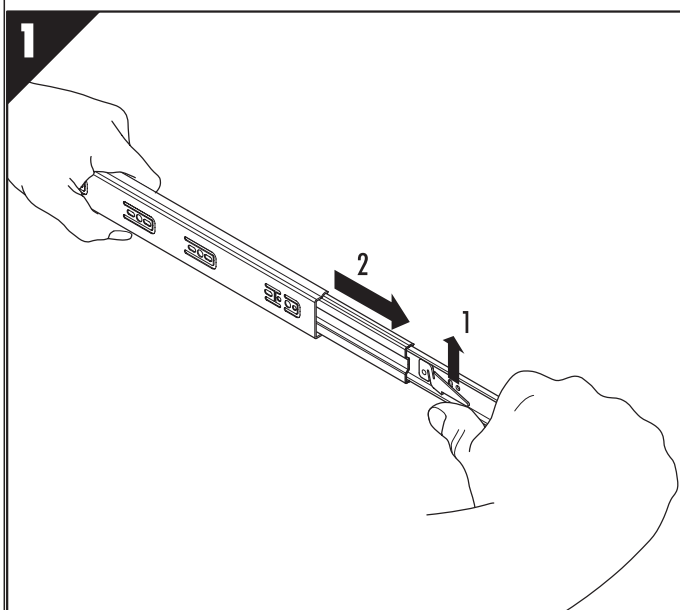


| Order No. | Form | Form-Type | Activating force N | Assembly | Product type | Load capacity per pair (80,000 cycles) kg | Packaging type |
|------------------|------|--------------|--------------------|---------------|--------------|---|------------------|
| 21334-15-2030022 | B | Push to open | 22 | side mounting | standard | 42 | 1 piece = 1 pair |
| 21334-15-2035022 | B | Push to open | 22 | side mounting | standard | 43 | 1 piece = 1 pair |
| 21334-15-2040022 | B | Push to open | 22 | side mounting | standard | 44 | 1 piece = 1 pair |
| 21334-15-2045022 | B | Push to open | 22 | side mounting | standard | 45 | 1 piece = 1 pair |
| 21334-15-2050022 | B | Push to open | 22 | side mounting | standard | 45 | 1 piece = 1 pair |
| 21334-15-2055022 | B | Push to open | 22 | side mounting | standard | 45 | 1 piece = 1 pair |
| 21334-15-2060022 | B | Push to open | 22 | side mounting | standard | 45 | 1 piece = 1 pair |
| 21334-15-2065022 | B | Push to open | 22 | side mounting | standard | 44 | 1 piece = 1 pair |
| 21334-15-2070022 | B | Push to open | 22 | side mounting | standard | 43 | 1 piece = 1 pair |
| 21334-15-2030035 | B | Push to open | 35 | side mounting | standard | 42 | 1 piece = 1 pair |
| 21334-15-2035035 | B | Push to open | 35 | side mounting | standard | 43 | 1 piece = 1 pair |
| 21334-15-2040035 | B | Push to open | 35 | side mounting | standard | 44 | 1 piece = 1 pair |
| 21334-15-2045035 | B | Push to open | 35 | side mounting | standard | 45 | 1 piece = 1 pair |
| 21334-15-2050035 | B | Push to open | 35 | side mounting | standard | 45 | 1 piece = 1 pair |
| 21334-15-2055035 | B | Push to open | 35 | side mounting | standard | 45 | 1 piece = 1 pair |
| 21334-15-2060035 | B | Push to open | 35 | side mounting | standard | 45 | 1 piece = 1 pair |
| 21334-15-2065035 | B | Push to open | 35 | side mounting | standard | 44 | 1 piece = 1 pair |
| 21334-15-2070035 | B | Push to open | 35 | side mounting | standard | 43 | 1 piece = 1 pair |

| Order No. | A | A1 | A2 | A3 | A4 | A5 | A6 | A7 | A8 | B | H | Travel S | L |
|------------------|----|-----|-----|-----|-----|-----|-----|-----|-----|------|------|-------------|-----|
| 21334-15-2030022 | 35 | - | - | - | - | - | - | - | 192 | 12,7 | 45,7 | 305 | 300 |
| 21334-15-2035022 | 35 | 224 | - | - | 128 | - | - | - | 242 | 12,7 | 45,7 | 356 | 350 |
| 21334-15-2040022 | 35 | 224 | 288 | - | 128 | - | - | - | 292 | 12,7 | 45,7 | 406 | 400 |
| 21334-15-2045022 | 35 | 224 | 320 | - | 128 | - | 320 | - | 342 | 12,7 | 45,7 | 457 | 450 |
| 21334-15-2050022 | 35 | 224 | 384 | - | 128 | - | 320 | - | 392 | 12,7 | 45,7 | 508 | 500 |
| 21334-15-2055022 | 35 | 224 | 416 | - | 128 | 224 | 416 | - | 442 | 12,7 | 45,7 | 559 | 550 |
| 21334-15-2060022 | 35 | 224 | 352 | 480 | 128 | 224 | 416 | - | 492 | 12,7 | 45,7 | 610 | 600 |
| 21334-15-2065022 | 35 | 224 | 352 | 512 | 128 | 224 | 416 | 512 | 542 | 12,7 | 45,7 | 660 | 650 |
| 21334-15-2070022 | 35 | 224 | 352 | 544 | 128 | 224 | 416 | 512 | 592 | 12,7 | 45,7 | 711 | 700 |
| 21334-15-2030035 | 35 | - | - | - | - | - | - | - | 192 | 12,7 | 45,7 | 305 | 300 |
| 21334-15-2035035 | 35 | 224 | - | - | 128 | - | - | - | 242 | 12,7 | 45,7 | 356 | 350 |
| 21334-15-2040035 | 35 | 224 | 288 | - | 128 | - | - | - | 292 | 12,7 | 45,7 | 406 | 400 |
| 21334-15-2045035 | 35 | 224 | 320 | - | 128 | - | 320 | - | 342 | 12,7 | 45,7 | 457 | 450 |
| 21334-15-2050035 | 35 | 224 | 384 | - | 128 | - | 320 | - | 392 | 12,7 | 45,7 | 508 | 500 |
| 21334-15-2055035 | 35 | 224 | 416 | - | 128 | 224 | 416 | - | 442 | 12,7 | 45,7 | 559 | 550 |
| 21334-15-2060035 | 35 | 224 | 352 | 480 | 128 | 224 | 416 | - | 492 | 12,7 | 45,7 | 610 | 600 |
| 21334-15-2065035 | 35 | 224 | 352 | 512 | 128 | 224 | 416 | 512 | 542 | 12,7 | 45,7 | 660 | 650 |
| 21334-15-2070035 | 35 | 224 | 352 | 544 | 128 | 224 | 416 | 512 | 592 | 12,7 | 45,7 | 711 | 700 |

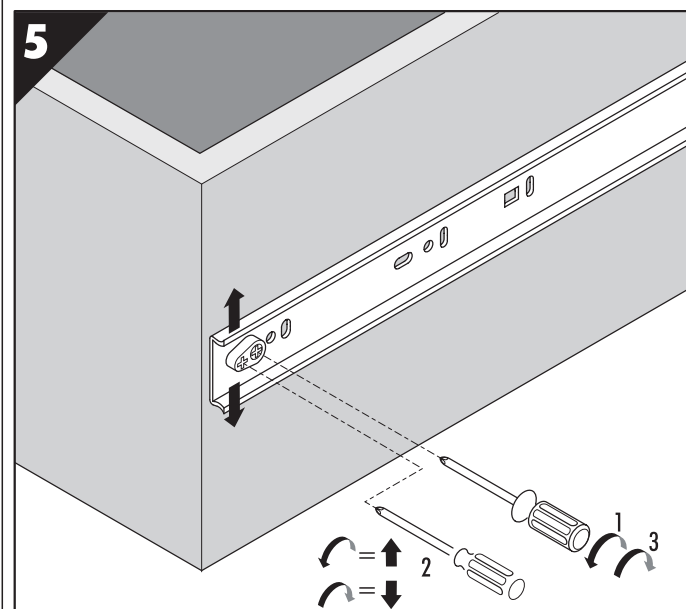
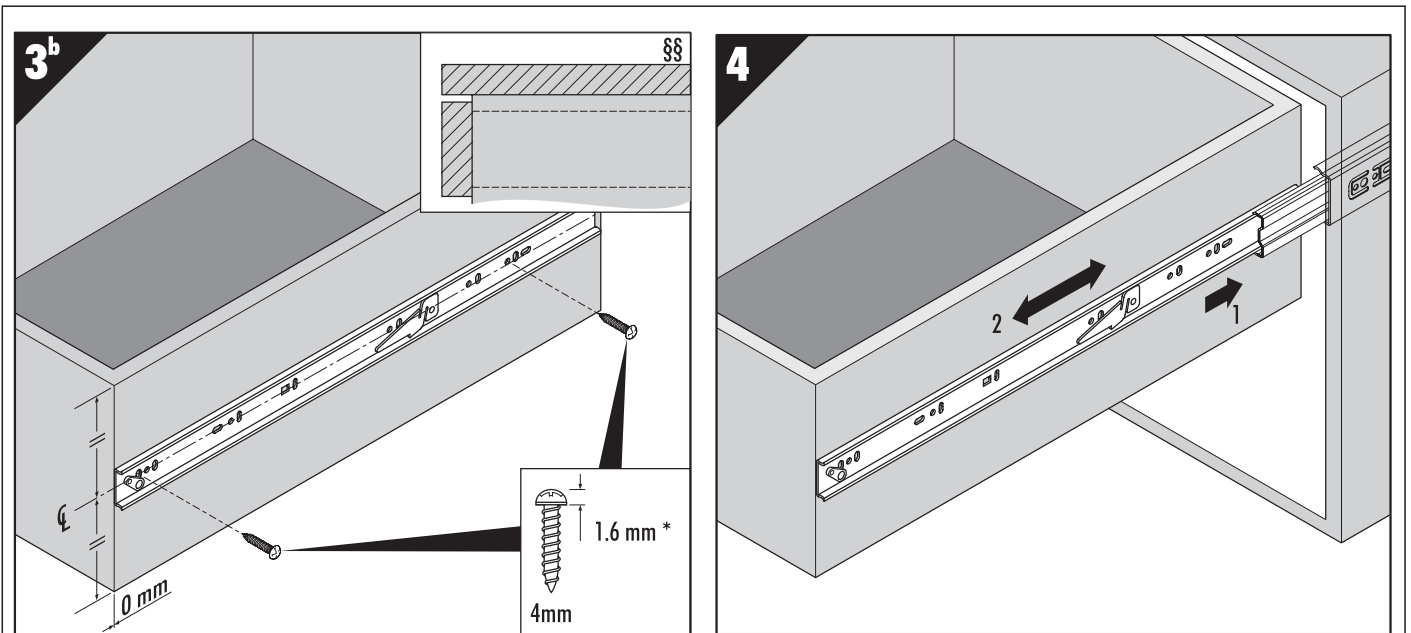
Montageanleitung 21334-15, Form B Installation instruction 21334-15, Form B

DE EN



Montageanleitung 21334-15, Form B Installation instruction 21334-15, Form B

DE EN

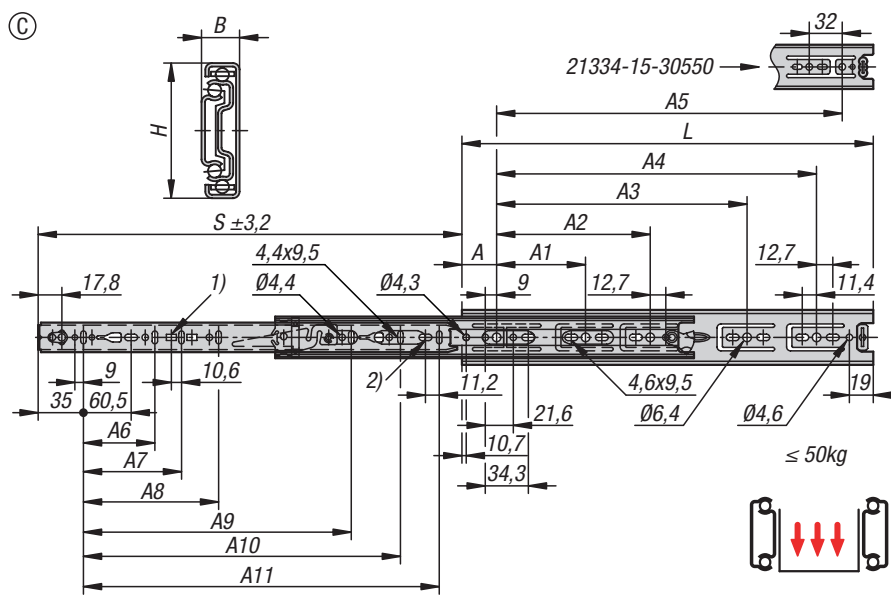
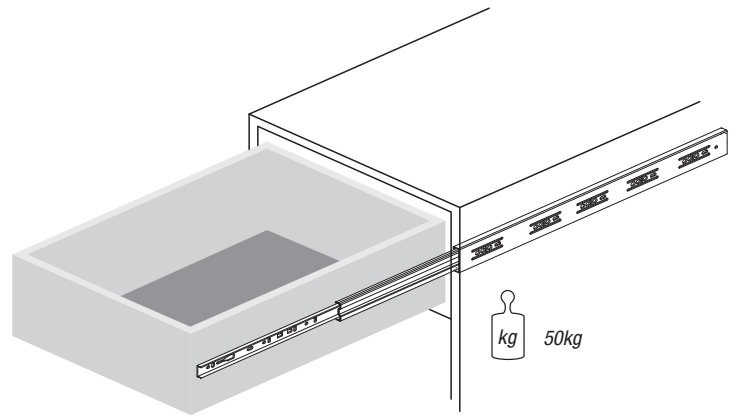


* Max.
Es sind alle Befestigungspositionen zu verwenden, damit der maximale Lastwert erzielt wird.

§ Aufliegend.
§ Innenliegende Türen.

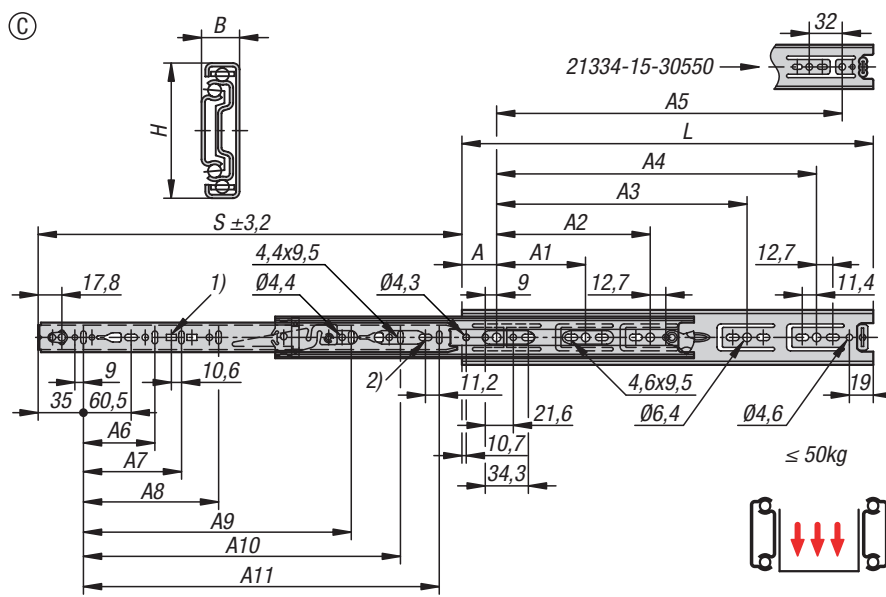
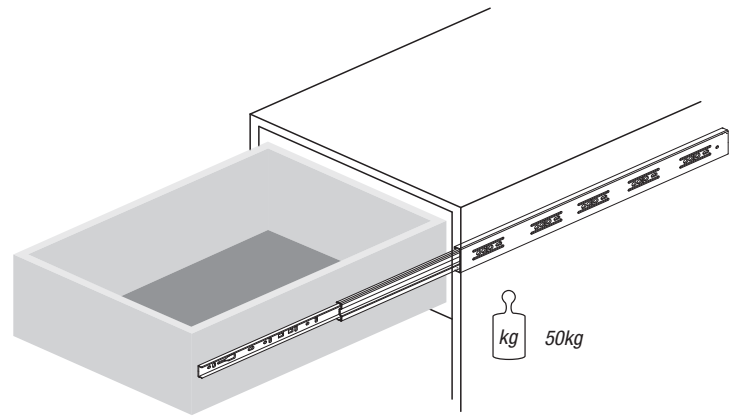
* Max.
All fixings positions must be used to achieve maximum load.

§ Overlay.
§ Inset.



| Bestellnummer | Form | Form-Typ | Montage | Produkttyp | Tragkraft pro Paar (80.000 Zyklen) kg | Tragkraft pro Paar (10.000 Zyklen) kg | Verpackungsart |
|----------------|------|--|------------------|------------|---------------------------------------|---------------------------------------|------------------|
| 21334-15-30250 | C | Rastung in geschlossener und geöffneter Position | Montage seitlich | Standard | 41 | 47 | 1 Stück = 1 Paar |
| 21334-15-30300 | C | Rastung in geschlossener und geöffneter Position | Montage seitlich | Standard | 42 | 48 | 1 Stück = 1 Paar |
| 21334-15-30350 | C | Rastung in geschlossener und geöffneter Position | Montage seitlich | Standard | 43 | 49 | 1 Stück = 1 Paar |
| 21334-15-30400 | C | Rastung in geschlossener und geöffneter Position | Montage seitlich | Standard | 44 | 50 | 1 Stück = 1 Paar |
| 21334-15-30450 | C | Rastung in geschlossener und geöffneter Position | Montage seitlich | Standard | 45 | 50 | 1 Stück = 1 Paar |
| 21334-15-30500 | C | Rastung in geschlossener und geöffneter Position | Montage seitlich | Standard | 45 | 50 | 1 Stück = 1 Paar |
| 21334-15-30550 | C | Rastung in geschlossener und geöffneter Position | Montage seitlich | Standard | 45 | 50 | 1 Stück = 1 Paar |
| 21334-15-30600 | C | Rastung in geschlossener und geöffneter Position | Montage seitlich | Standard | 45 | 50 | 1 Stück = 1 Paar |
| 21334-15-30650 | C | Rastung in geschlossener und geöffneter Position | Montage seitlich | Standard | 44 | 49 | 1 Stück = 1 Paar |
| 21334-15-30700 | C | Rastung in geschlossener und geöffneter Position | Montage seitlich | Standard | 43 | 48 | 1 Stück = 1 Paar |

| Bestellnummer | A | A1 | A2 | A3 | A4 | A5 | A6 | A7 | A8 | A9 | A10 | A11 | B | H | Hub S | L |
|----------------|----|-----|-----|-----|-----|-----|-----|-----|-----|-----|-----|-----|------|------|-------|-----|
| 21334-15-30250 | 35 | - | 160 | - | - | - | 96 | - | - | - | - | 192 | 12,7 | 45,7 | 243 | 250 |
| 21334-15-30300 | 35 | - | 224 | - | - | - | 96 | - | - | - | - | 242 | 12,7 | 45,7 | 305 | 300 |
| 21334-15-30350 | 35 | 128 | 224 | - | - | - | 128 | - | - | - | - | 292 | 12,7 | 45,7 | 356 | 350 |
| 21334-15-30400 | 35 | 128 | 224 | 320 | - | - | 128 | - | - | - | - | 342 | 12,7 | 45,7 | 406 | 400 |
| 21334-15-30450 | 35 | 128 | - | 352 | - | - | 128 | - | - | 320 | - | 392 | 12,7 | 45,7 | 457 | 450 |
| 21334-15-30500 | 35 | 128 | - | 416 | - | - | 128 | - | - | 320 | - | 442 | 12,7 | 45,7 | 508 | 500 |
| 21334-15-30550 | 35 | 128 | - | 352 | - | 480 | 128 | - | - | 320 | 416 | 492 | 12,7 | 45,7 | 559 | 550 |
| 21334-15-30600 | 35 | 128 | 224 | 352 | 480 | - | 128 | 224 | - | 416 | - | 542 | 12,7 | 45,7 | 610 | 600 |
| 21334-15-30650 | 35 | 128 | 224 | 352 | 544 | - | 128 | 224 | - | 416 | 544 | 592 | 12,7 | 45,7 | 660 | 650 |
| 21334-15-30700 | 35 | 128 | 224 | - | 544 | - | 128 | 224 | 288 | 416 | 544 | 642 | 12,7 | 45,7 | 711 | 700 |

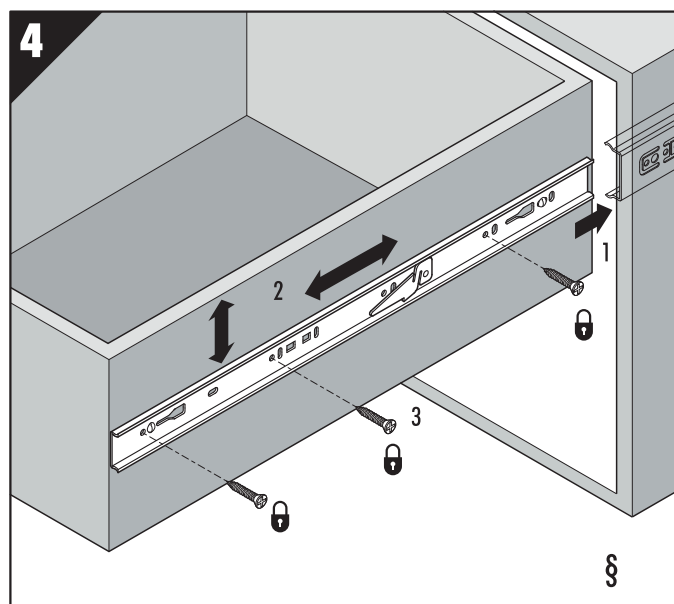
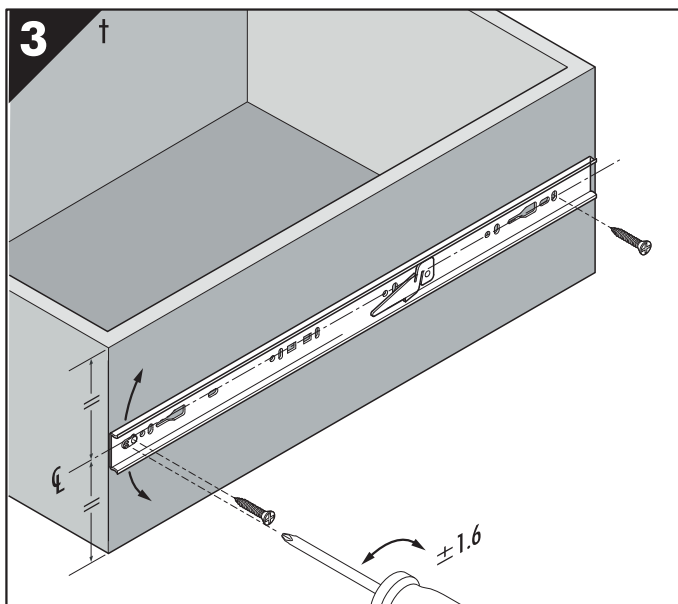
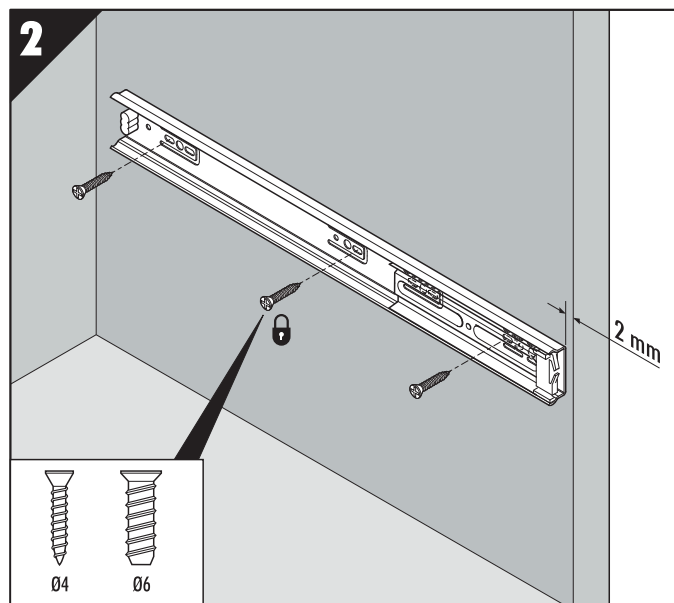
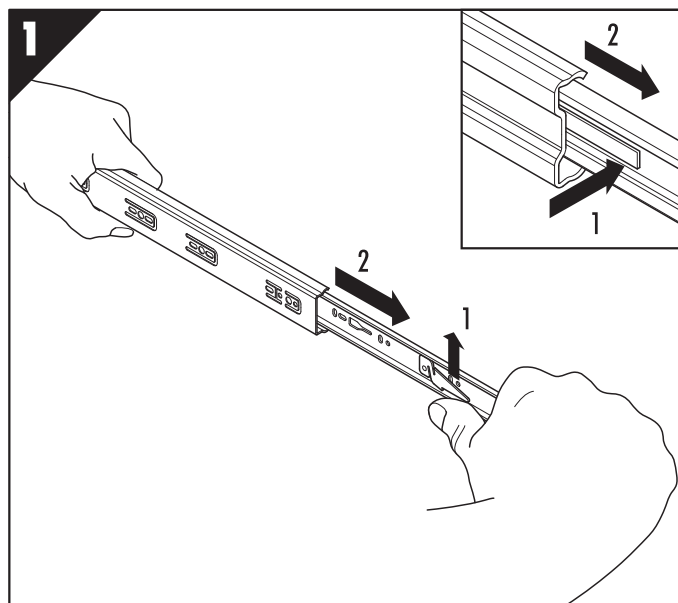


| Order No. | Form | Form-Type | Assembly | Product type | Load capacity per pair (80,000 cycles) kg | Loading pair (10,000 cycles) kg | Packaging type |
|----------------|------|--------------------------------------|---------------|--------------|---|---------------------------------|------------------|
| 21334-15-30250 | C | Latches in closed and open positions | side mounting | standard | 41 | 47 | 1 piece = 1 pair |
| 21334-15-30300 | C | Latches in closed and open positions | side mounting | standard | 42 | 48 | 1 piece = 1 pair |
| 21334-15-30350 | C | Latches in closed and open positions | side mounting | standard | 43 | 49 | 1 piece = 1 pair |
| 21334-15-30400 | C | Latches in closed and open positions | side mounting | standard | 44 | 50 | 1 piece = 1 pair |
| 21334-15-30450 | C | Latches in closed and open positions | side mounting | standard | 45 | 50 | 1 piece = 1 pair |
| 21334-15-30500 | C | Latches in closed and open positions | side mounting | standard | 45 | 50 | 1 piece = 1 pair |
| 21334-15-30550 | C | Latches in closed and open positions | side mounting | standard | 45 | 50 | 1 piece = 1 pair |
| 21334-15-30600 | C | Latches in closed and open positions | side mounting | standard | 45 | 50 | 1 piece = 1 pair |
| 21334-15-30650 | C | Latches in closed and open positions | side mounting | standard | 44 | 49 | 1 piece = 1 pair |
| 21334-15-30700 | C | Latches in closed and open positions | side mounting | standard | 43 | 48 | 1 piece = 1 pair |

| Order No. | A | A1 | A2 | A3 | A4 | A5 | A6 | A7 | A8 | A9 | A10 | A11 | B | H | Travel S | L |
|----------------|----|-----|-----|-----|-----|-----|-----|-----|-----|-----|-----|-----|------|------|----------|-----|
| 21334-15-30250 | 35 | - | 160 | - | - | - | 96 | - | - | - | - | 192 | 12,7 | 45,7 | 243 | 250 |
| 21334-15-30300 | 35 | - | 224 | - | - | - | 96 | - | - | - | - | 242 | 12,7 | 45,7 | 305 | 300 |
| 21334-15-30350 | 35 | 128 | 224 | - | - | - | 128 | - | - | - | - | 292 | 12,7 | 45,7 | 356 | 350 |
| 21334-15-30400 | 35 | 128 | 224 | 320 | - | - | 128 | - | - | - | - | 342 | 12,7 | 45,7 | 406 | 400 |
| 21334-15-30450 | 35 | 128 | - | 352 | - | - | 128 | - | - | 320 | - | 392 | 12,7 | 45,7 | 457 | 450 |
| 21334-15-30500 | 35 | 128 | - | 416 | - | - | 128 | - | - | 320 | - | 442 | 12,7 | 45,7 | 508 | 500 |
| 21334-15-30550 | 35 | 128 | - | 352 | - | 480 | 128 | - | - | 320 | 416 | 492 | 12,7 | 45,7 | 559 | 550 |
| 21334-15-30600 | 35 | 128 | 224 | 352 | 480 | - | 128 | 224 | - | 416 | - | 542 | 12,7 | 45,7 | 610 | 600 |
| 21334-15-30650 | 35 | 128 | 224 | 352 | 544 | - | 128 | 224 | - | 416 | 544 | 592 | 12,7 | 45,7 | 660 | 650 |
| 21334-15-30700 | 35 | 128 | 224 | - | 544 | - | 128 | 224 | 288 | 416 | 544 | 642 | 12,7 | 45,7 | 711 | 700 |

Montageanleitung 21334-15, Form C Installation instruction 21334-15, Form C

DE EN

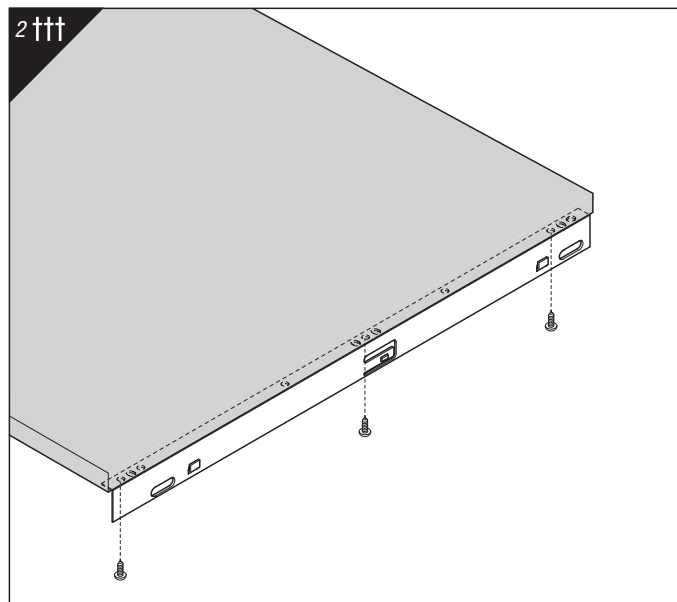
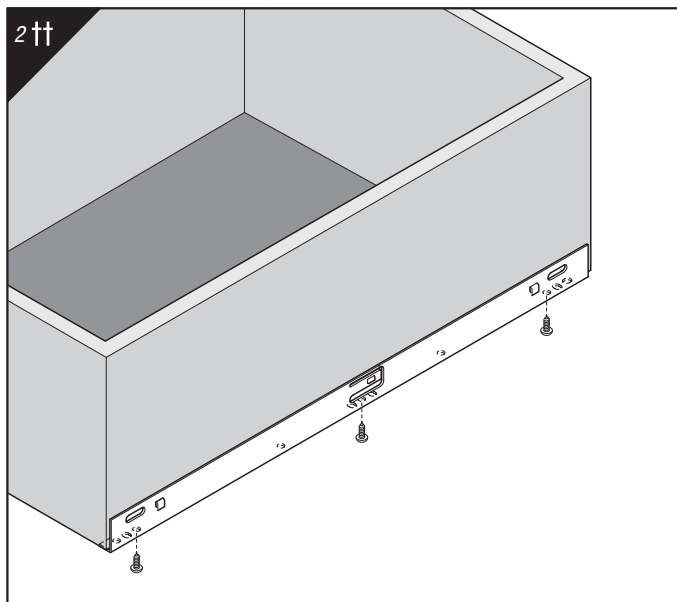
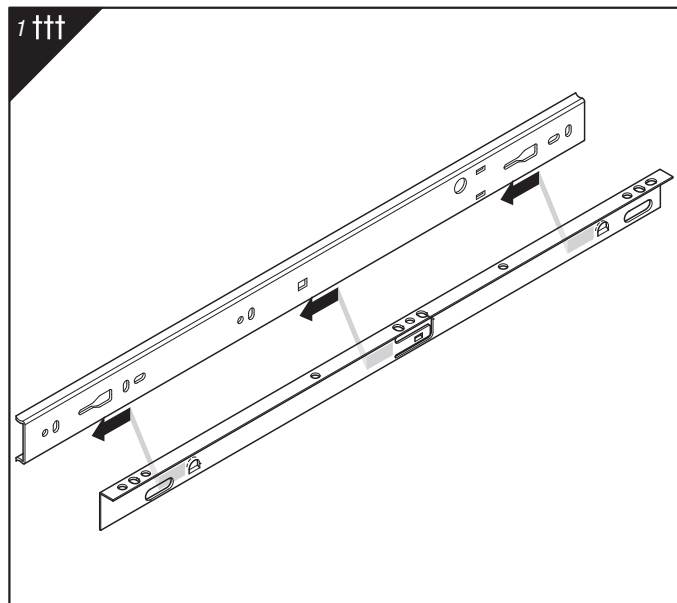
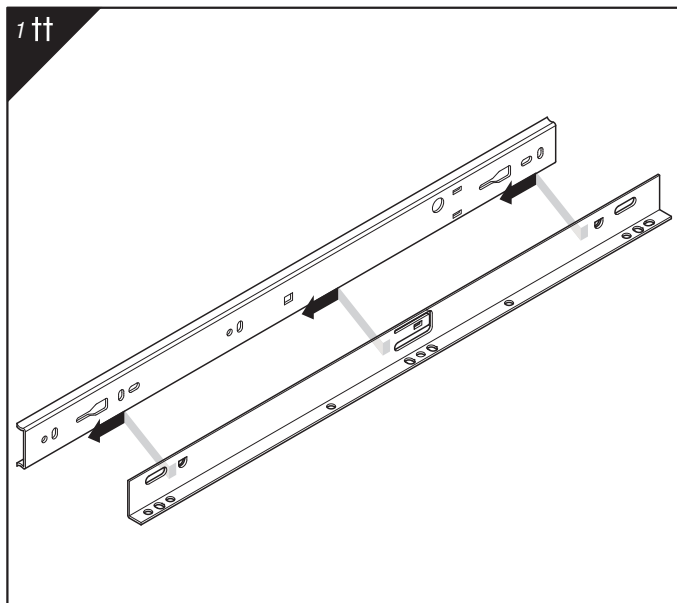


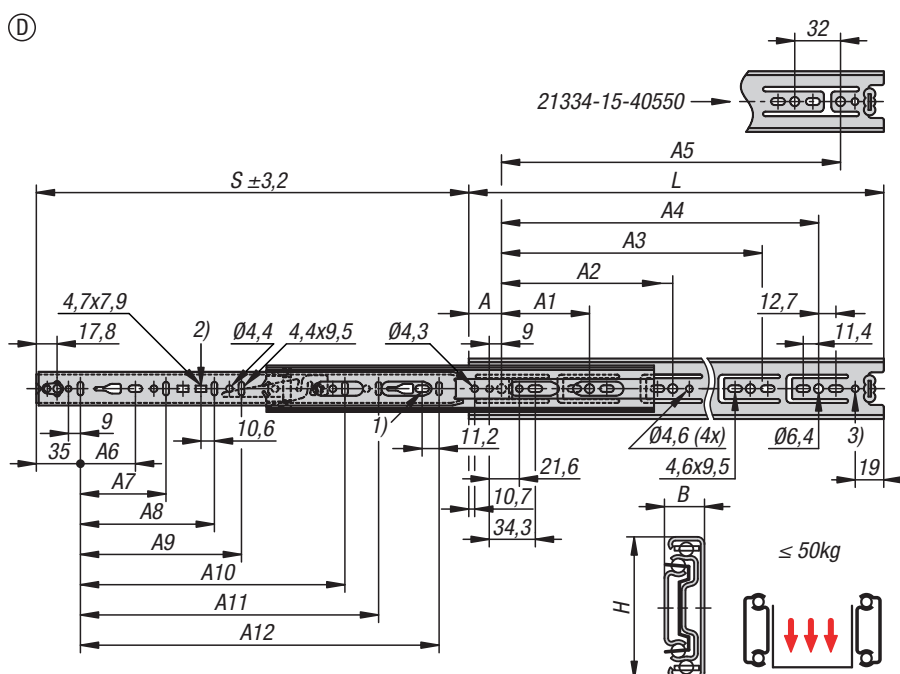
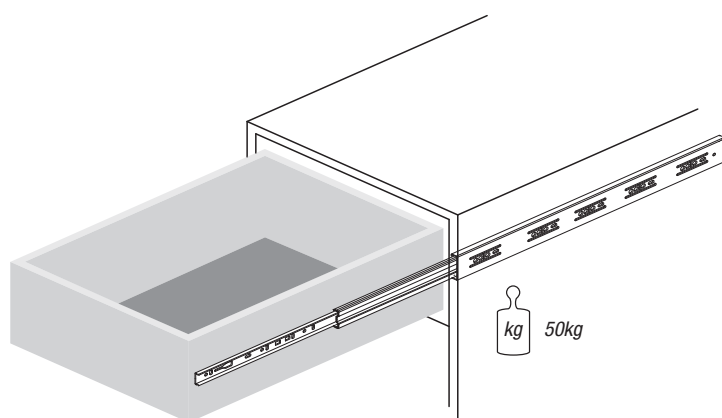
Es sind alle Befestigungspositionen zu verwenden, damit der maximale Lastwert erzielt wird.

- * Langlöcher nur in Längen, die den Aufsteckwinkel aufnehmen.
- † Aufliegende und Tablar montage siehe umseitig.
- †† Aufliegende Montage.
- ††† Tablarmontage.
- § Hält den Kugelkäfig während der Schubladenbefestigung vorne.

All fixings positions must be used to achieve maximum load rating.
Key slots and central cut-out only on lengths which accommodate the bottom bracket.

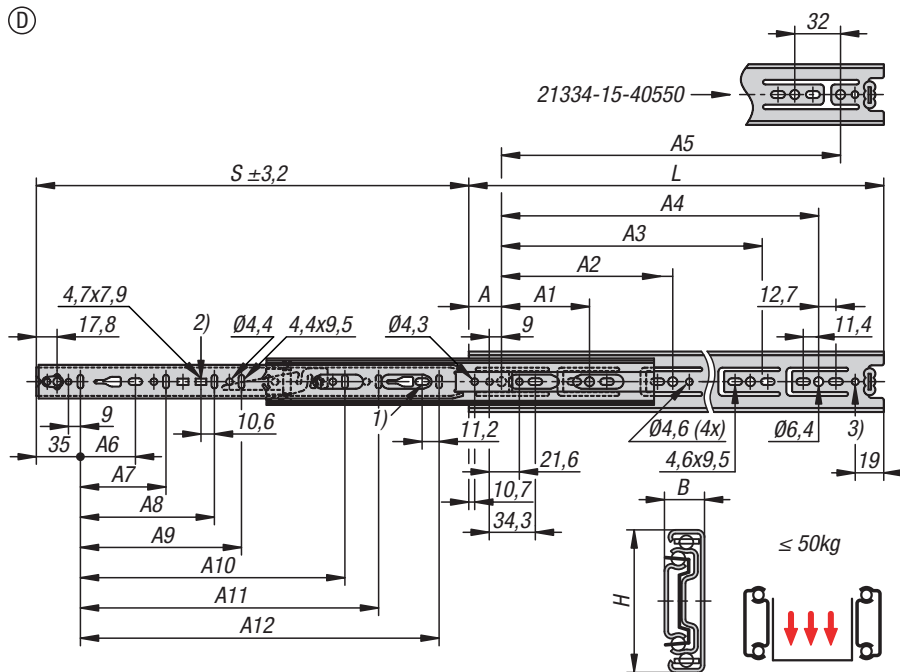
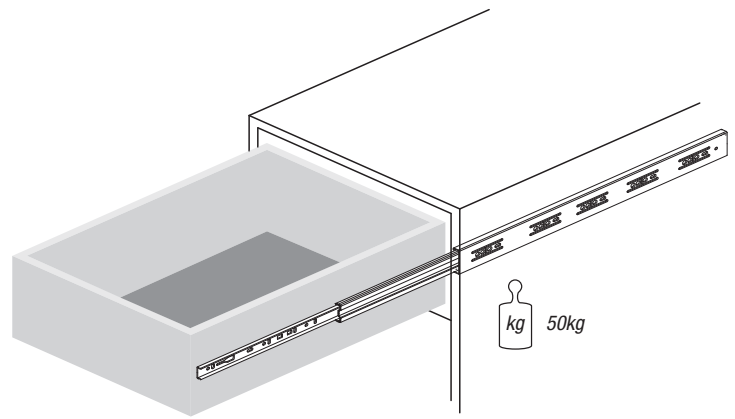
- * See overleaf for Bottom Mount and Platform Mount.
- † Bottom Mount.
- †† Platform Mount.
- ††† Platform Mount.
- § Hold ball bearing retainer in forward position during installation of drawer.





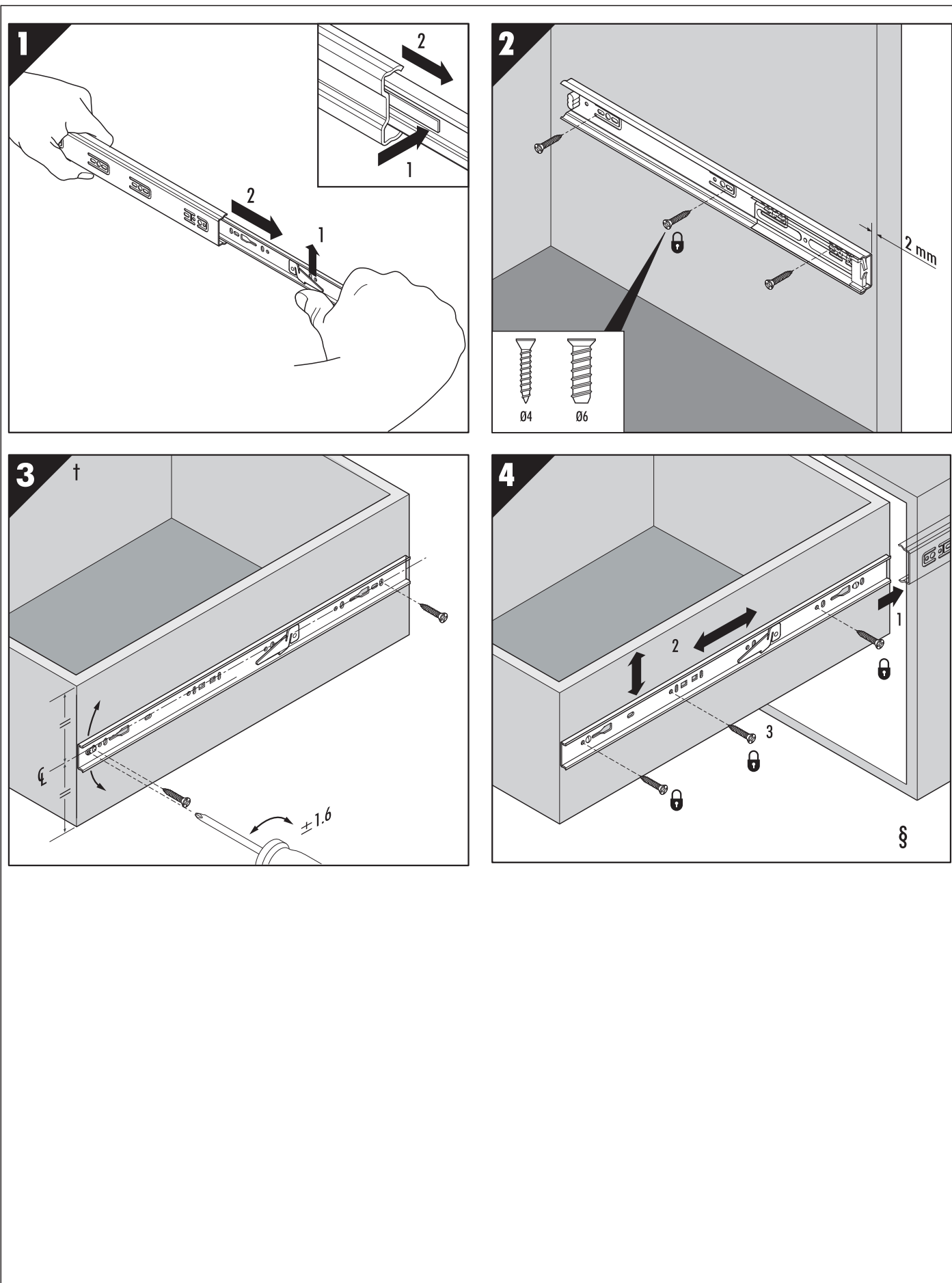
| Bestellnummer | Form | Form-Typ | Montage | Produkttyp | Tragkraft pro Paar (80.000 Zyklen) kg | Verpackungsart |
|----------------|------|-----------------------------------|------------------|------------|---------------------------------------|------------------|
| 21334-15-40148 | D | Rastung in geschlossener Position | Montage seitlich | Standard | 45 | 1 Stück = 1 Paar |
| 21334-15-40199 | D | Rastung in geschlossener Position | Montage seitlich | Standard | 46 | 1 Stück = 1 Paar |
| 21334-15-40250 | D | Rastung in geschlossener Position | Montage seitlich | Standard | 47 | 1 Stück = 1 Paar |
| 21334-15-40300 | D | Rastung in geschlossener Position | Montage seitlich | Standard | 48 | 1 Stück = 1 Paar |
| 21334-15-40350 | D | Rastung in geschlossener Position | Montage seitlich | Standard | 49 | 1 Stück = 1 Paar |
| 21334-15-40400 | D | Rastung in geschlossener Position | Montage seitlich | Standard | 50 | 1 Stück = 1 Paar |
| 21334-15-40450 | D | Rastung in geschlossener Position | Montage seitlich | Standard | 50 | 1 Stück = 1 Paar |
| 21334-15-40500 | D | Rastung in geschlossener Position | Montage seitlich | Standard | 50 | 1 Stück = 1 Paar |
| 21334-15-40550 | D | Rastung in geschlossener Position | Montage seitlich | Standard | 50 | 1 Stück = 1 Paar |
| 21334-15-40600 | D | Rastung in geschlossener Position | Montage seitlich | Standard | 50 | 1 Stück = 1 Paar |
| 21334-15-40650 | D | Rastung in geschlossener Position | Montage seitlich | Standard | 49 | 1 Stück = 1 Paar |
| 21334-15-40700 | D | Rastung in geschlossener Position | Montage seitlich | Standard | 49 | 1 Stück = 1 Paar |

| Bestellnummer | A | A1 | A2 | A3 | A4 | A5 | A6 | A7 | A8 | A9 | A10 | A11 | A12 | B | H | Hub S | L |
|----------------|----|------|-----|-----|-----|-----|------|-----|-----|-----|-----|-----|-----|------|------|----------|-----|
| 21334-15-40148 | 35 | 77,2 | - | - | - | - | - | 128 | - | - | - | - | 96 | 12,7 | 45,7 | 138 | 148 |
| 21334-15-40199 | 35 | 128 | - | - | - | - | 60,5 | 128 | - | - | - | - | 141 | 12,7 | 45,7 | 203 | 199 |
| 21334-15-40250 | 35 | 128 | - | - | - | - | 60,5 | 96 | - | - | - | - | 192 | 12,7 | 45,7 | 354 | 250 |
| 21334-15-40300 | 35 | 128 | 224 | - | - | - | 60,5 | 96 | - | - | - | - | 242 | 12,7 | 45,7 | 305 | 300 |
| 21334-15-40350 | 35 | 128 | 224 | - | - | - | 60,5 | 128 | - | - | - | - | 292 | 12,7 | 45,7 | 356 | 350 |
| 21334-15-40400 | 35 | 128 | 224 | 320 | - | - | 60,5 | 128 | - | - | - | - | 342 | 12,7 | 45,7 | 406 | 400 |
| 21334-15-40450 | 35 | 128 | 224 | 352 | - | - | 60,5 | 128 | - | - | 320 | - | 392 | 12,7 | 45,7 | 457 | 450 |
| 21334-15-40500 | 35 | 128 | 224 | 416 | - | - | 60,5 | 128 | - | - | 320 | - | 442 | 12,7 | 45,7 | 508 | 500 |
| 21334-15-40550 | 35 | 128 | 224 | 352 | 448 | 480 | 60,5 | 128 | - | - | 320 | 416 | 492 | 12,7 | 45,7 | 559 | 550 |
| 21334-15-40600 | 35 | 128 | 224 | 352 | 480 | - | 60,5 | 128 | 224 | - | 416 | - | 542 | 12,7 | 45,7 | 610 | 600 |
| 21334-15-40650 | 35 | 128 | 224 | 352 | 544 | - | 60,5 | 128 | 224 | - | 416 | 544 | 592 | 12,7 | 45,7 | 660 | 650 |
| 21334-15-40700 | 35 | 128 | 224 | 352 | 544 | - | 60,5 | 128 | 224 | 288 | 416 | 544 | 642 | 12,7 | 45,7 | 711 | 700 |



| Order No. | Form | Form-Type | Assembly | Product type | Load capacity per pair (80,000 cycles) kg | Packaging type |
|----------------|------|----------------------------|---------------|--------------|---|------------------|
| 21334-15-40148 | D | Latches in closed position | side mounting | standard | 45 | 1 piece = 1 pair |
| 21334-15-40199 | D | Latches in closed position | side mounting | standard | 46 | 1 piece = 1 pair |
| 21334-15-40250 | D | Latches in closed position | side mounting | standard | 47 | 1 piece = 1 pair |
| 21334-15-40300 | D | Latches in closed position | side mounting | standard | 48 | 1 piece = 1 pair |
| 21334-15-40350 | D | Latches in closed position | side mounting | standard | 49 | 1 piece = 1 pair |
| 21334-15-40400 | D | Latches in closed position | side mounting | standard | 50 | 1 piece = 1 pair |
| 21334-15-40450 | D | Latches in closed position | side mounting | standard | 50 | 1 piece = 1 pair |
| 21334-15-40500 | D | Latches in closed position | side mounting | standard | 50 | 1 piece = 1 pair |
| 21334-15-40550 | D | Latches in closed position | side mounting | standard | 50 | 1 piece = 1 pair |
| 21334-15-40600 | D | Latches in closed position | side mounting | standard | 50 | 1 piece = 1 pair |
| 21334-15-40650 | D | Latches in closed position | side mounting | standard | 49 | 1 piece = 1 pair |
| 21334-15-40700 | D | Latches in closed position | side mounting | standard | 49 | 1 piece = 1 pair |

| Order No. | A | A1 | A2 | A3 | A4 | A5 | A6 | A7 | A8 | A9 | A10 | A11 | A12 | B | H | Travel S | L |
|----------------|----|------|-----|-----|-----|-----|------|-----|-----|-----|-----|-----|-----|------|------|----------|-----|
| 21334-15-40148 | 35 | 77,2 | - | - | - | - | - | 128 | - | - | - | - | 96 | 12,7 | 45,7 | 138 | 148 |
| 21334-15-40199 | 35 | 128 | - | - | - | - | 60,5 | 128 | - | - | - | - | 141 | 12,7 | 45,7 | 203 | 199 |
| 21334-15-40250 | 35 | 128 | - | - | - | - | 60,5 | 96 | - | - | - | - | 192 | 12,7 | 45,7 | 354 | 250 |
| 21334-15-40300 | 35 | 128 | 224 | - | - | - | 60,5 | 96 | - | - | - | - | 242 | 12,7 | 45,7 | 305 | 300 |
| 21334-15-40350 | 35 | 128 | 224 | - | - | - | 60,5 | 128 | - | - | - | - | 292 | 12,7 | 45,7 | 356 | 350 |
| 21334-15-40400 | 35 | 128 | 224 | 320 | - | - | 60,5 | 128 | - | - | - | - | 342 | 12,7 | 45,7 | 406 | 400 |
| 21334-15-40450 | 35 | 128 | 224 | 352 | - | - | 60,5 | 128 | - | - | 320 | - | 392 | 12,7 | 45,7 | 457 | 450 |
| 21334-15-40500 | 35 | 128 | 224 | 416 | - | - | 60,5 | 128 | - | - | 320 | - | 442 | 12,7 | 45,7 | 508 | 500 |
| 21334-15-40550 | 35 | 128 | 224 | 352 | 448 | 480 | 60,5 | 128 | - | - | 320 | 416 | 492 | 12,7 | 45,7 | 559 | 550 |
| 21334-15-40600 | 35 | 128 | 224 | 352 | 480 | - | 60,5 | 128 | 224 | - | 416 | - | 542 | 12,7 | 45,7 | 610 | 600 |
| 21334-15-40650 | 35 | 128 | 224 | 352 | 544 | - | 60,5 | 128 | 224 | - | 416 | 544 | 592 | 12,7 | 45,7 | 660 | 650 |
| 21334-15-40700 | 35 | 128 | 224 | 352 | 544 | - | 60,5 | 128 | 224 | 288 | 416 | 544 | 642 | 12,7 | 45,7 | 711 | 700 |



Montageanleitung 21334-15, Form D Installation instruction 21334-15, Form D

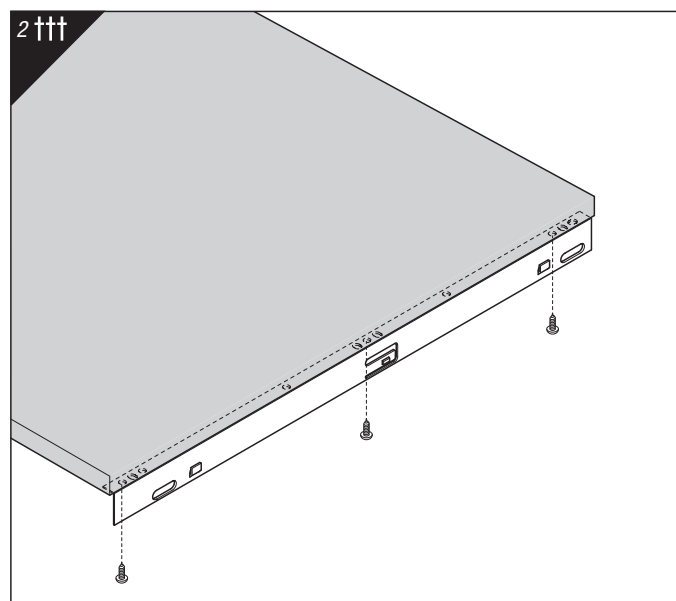
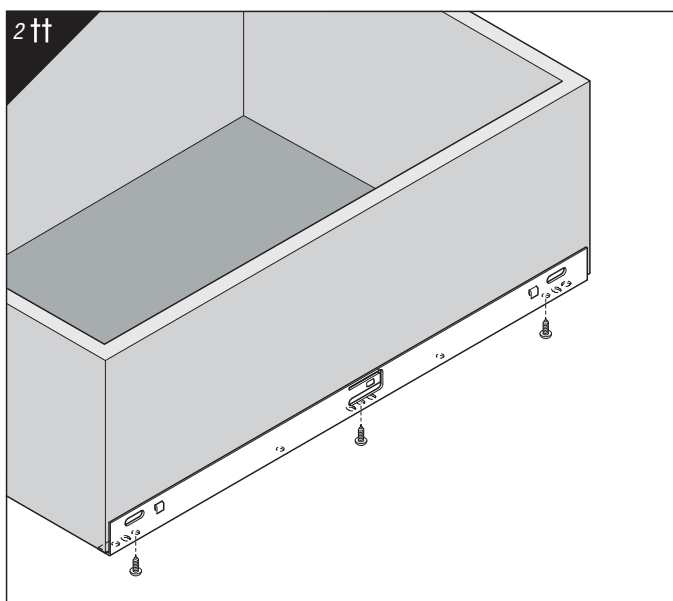
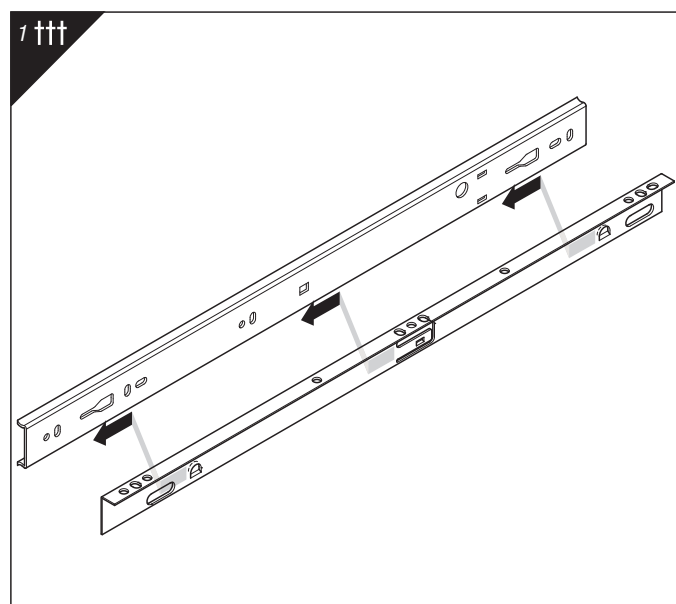
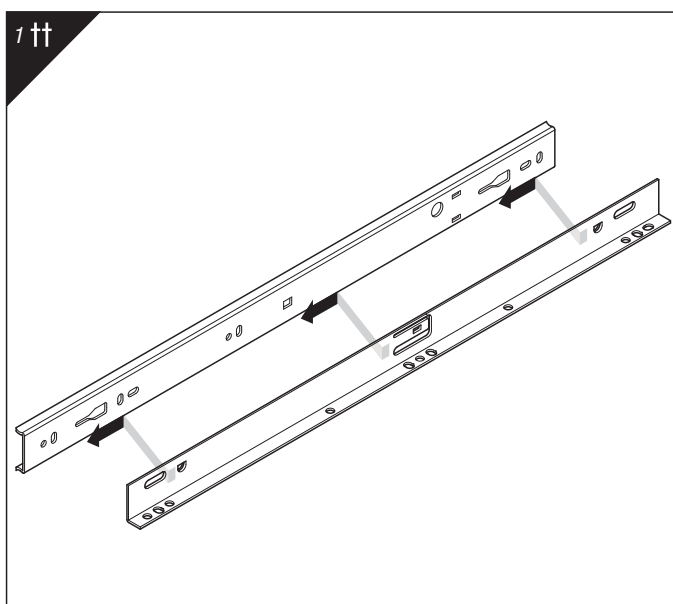
DE EN

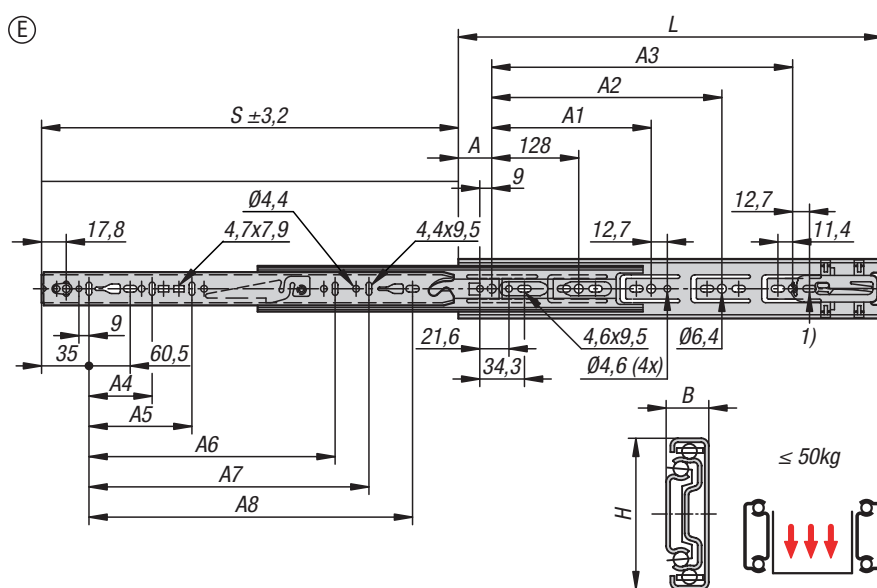
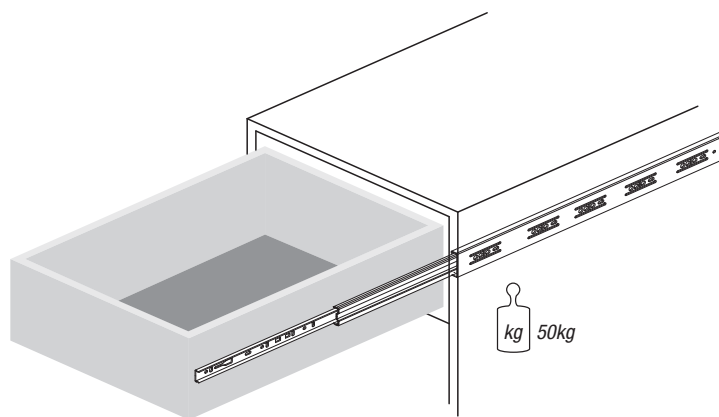
Es sind alle Befestigungspositionen zu verwenden, damit der maximale Lastwert erzielt wird.

- * *Langlöcher nur in Längen, die den Aufsteckwinkel aufnehmen.*
- † *Aufliegende und Tablarmontage siehe umseitig.*
- †† *Aufliegende Montage.*
- ††† *Tablarmontage.*
- § *Hält den Kugelkäfig während der Schubladenbefestigung vorne.*

All fixings positions must be used to achieve maximum load rating.

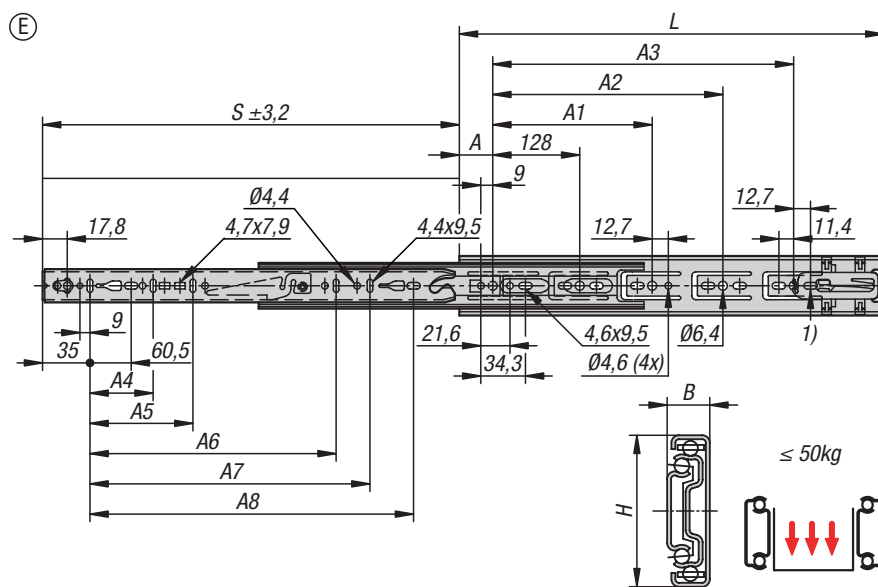
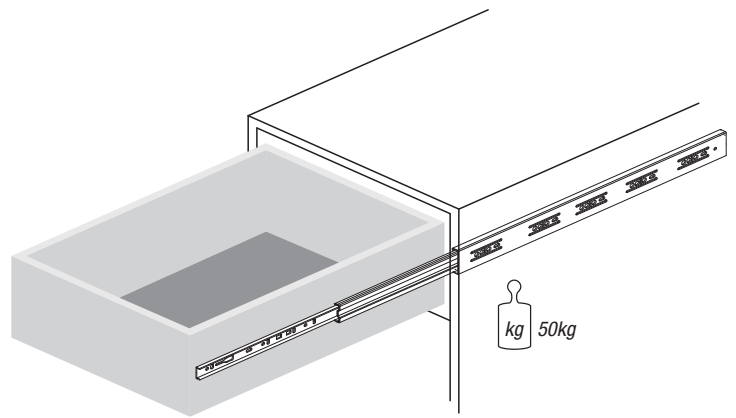
- * *Key slots and central cut-out only on lengths which accommodate the bottom bracket.*
- † *See overleaf for Bottom Mount and Platform Mount.*
- †† *Bottom Mount.*
- ††† *Platform Mount.*
- § *Hold ball bearing retainer in forward position during installation of drawer.*





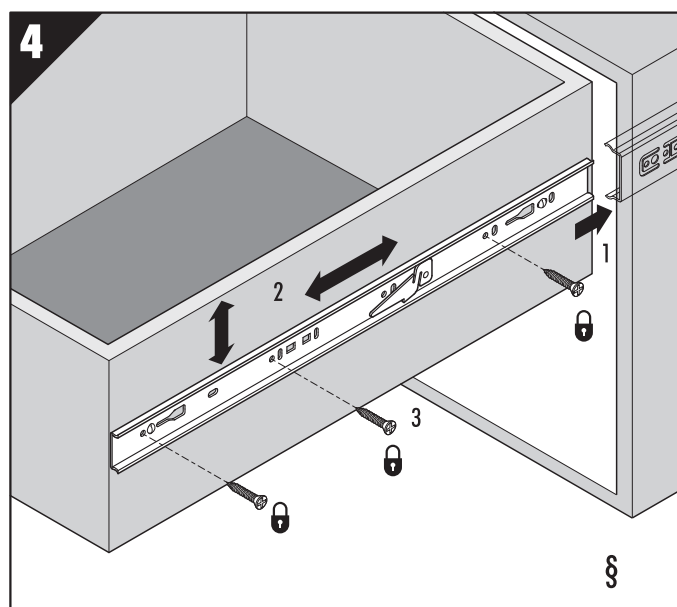
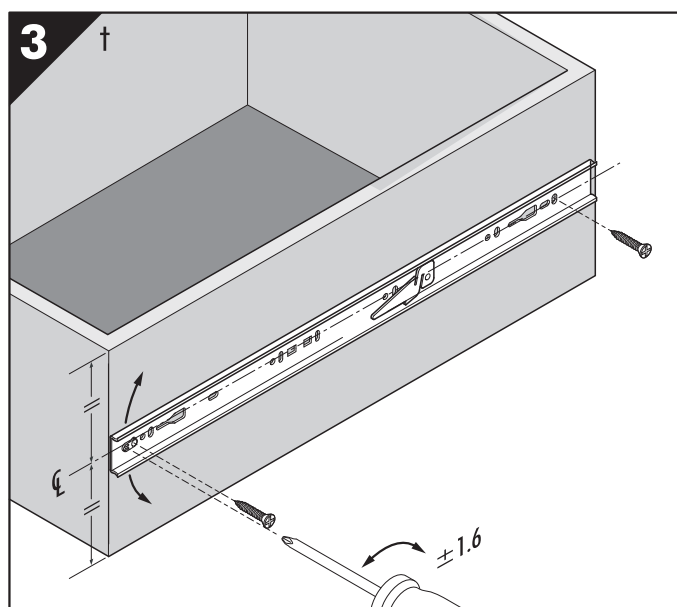
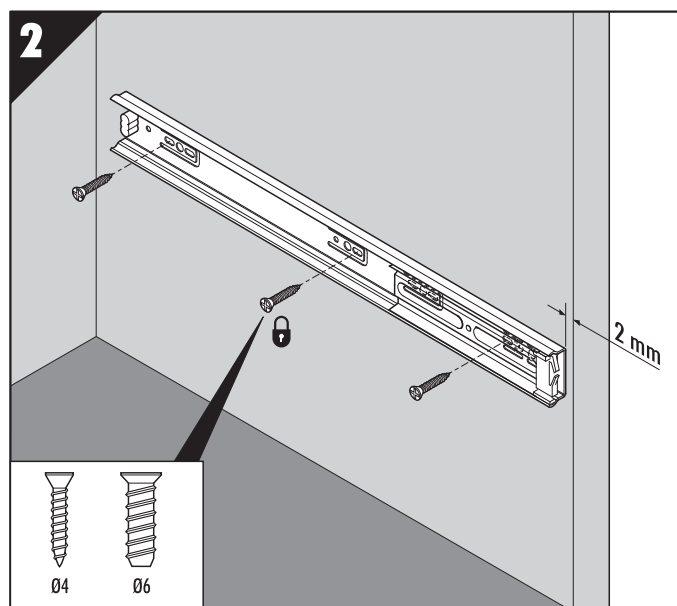
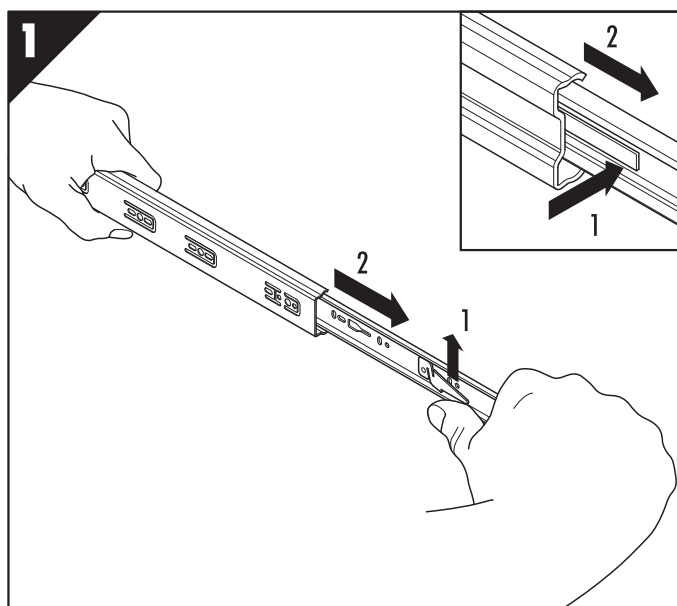
| Bestellnummer | Form | Form-Typ | Montage | Produkttyp | Schließ/Öffnungs-Kraft N pro Schiene | Tragkraft pro Paar (80.000 Zyklen) kg | Tragkraft pro Paar (10.000 Zyklen) kg | Verpackungsart |
|------------------|------|--------------|------------------|------------|---|---|--|------------------|
| 21334-15-5030027 | E | Selbsteinzug | Montage seitlich | Standard | 14-27 | 42 | 48 | 1 Stück = 1 Paar |
| 21334-15-5035027 | E | Selbsteinzug | Montage seitlich | Standard | 14-27 | 43 | 49 | 1 Stück = 1 Paar |
| 21334-15-5040027 | E | Selbsteinzug | Montage seitlich | Standard | 14-27 | 44 | 50 | 1 Stück = 1 Paar |
| 21334-15-5045027 | E | Selbsteinzug | Montage seitlich | Standard | 14-27 | 45 | 50 | 1 Stück = 1 Paar |
| 21334-15-5050027 | E | Selbsteinzug | Montage seitlich | Standard | 14-27 | 45 | 50 | 1 Stück = 1 Paar |
| 21334-15-5055027 | E | Selbsteinzug | Montage seitlich | Standard | 14-27 | 45 | 50 | 1 Stück = 1 Paar |
| 21334-15-5060027 | E | Selbsteinzug | Montage seitlich | Standard | 14-27 | 45 | 50 | 1 Stück = 1 Paar |
| 21334-15-5065027 | E | Selbsteinzug | Montage seitlich | Standard | 14-27 | 44 | 49 | 1 Stück = 1 Paar |
| 21334-15-5030041 | E | Selbsteinzug | Montage seitlich | Standard | 27-41 | 42 | 48 | 1 Stück = 1 Paar |
| 21334-15-5035041 | E | Selbsteinzug | Montage seitlich | Standard | 27-41 | 43 | 49 | 1 Stück = 1 Paar |
| 21334-15-5040041 | E | Selbsteinzug | Montage seitlich | Standard | 27-41 | 44 | 50 | 1 Stück = 1 Paar |
| 21334-15-5045041 | E | Selbsteinzug | Montage seitlich | Standard | 27-41 | 45 | 50 | 1 Stück = 1 Paar |
| 21334-15-5050041 | E | Selbsteinzug | Montage seitlich | Standard | 27-41 | 45 | 50 | 1 Stück = 1 Paar |
| 21334-15-5055041 | E | Selbsteinzug | Montage seitlich | Standard | 27-41 | 45 | 50 | 1 Stück = 1 Paar |
| 21334-15-5060041 | E | Selbsteinzug | Montage seitlich | Standard | 27-41 | 45 | 50 | 1 Stück = 1 Paar |
| 21334-15-5065041 | E | Selbsteinzug | Montage seitlich | Standard | 27-41 | 44 | 49 | 1 Stück = 1 Paar |

| Bestellnummer | A | A1 | A2 | A3 | A4 | A5 | A6 | A7 | A8 | B | H | Hub S | L |
|------------------|----|-----|-----|-----|-----|-----|-----|-----|-----|------|------|----------|-----|
| 21334-15-5030027 | 35 | - | - | - | - | - | - | - | 231 | 12,7 | 45,7 | 286 | 300 |
| 21334-15-5035027 | 35 | 224 | - | - | 128 | - | - | - | 281 | 12,7 | 45,7 | 356 | 350 |
| 21334-15-5040027 | 35 | 224 | 288 | - | 128 | - | - | - | 331 | 12,7 | 45,7 | 406 | 400 |
| 21334-15-5045027 | 35 | 224 | 320 | - | 128 | - | 320 | - | 381 | 12,7 | 45,7 | 457 | 450 |
| 21334-15-5050027 | 35 | 224 | 384 | - | 128 | - | - | - | 431 | 12,7 | 45,7 | 508 | 500 |
| 21334-15-5055027 | 35 | 224 | 416 | - | 128 | - | 416 | - | 481 | 12,7 | 45,7 | 559 | 550 |
| 21334-15-5060027 | 35 | 224 | 352 | 480 | 128 | 224 | 416 | - | 531 | 12,7 | 45,7 | 610 | 600 |
| 21334-15-5065027 | 35 | 224 | 352 | 512 | 128 | 224 | 416 | 544 | 581 | 12,7 | 45,7 | 660 | 650 |
| 21334-15-5030041 | 35 | - | - | - | - | - | - | - | 231 | 12,7 | 45,7 | 286 | 300 |
| 21334-15-5035041 | 35 | 224 | - | - | 128 | - | - | - | 281 | 12,7 | 45,7 | 356 | 350 |
| 21334-15-5040041 | 35 | 224 | 288 | - | 128 | - | - | - | 331 | 12,7 | 45,7 | 406 | 400 |
| 21334-15-5045041 | 35 | 224 | 320 | - | 128 | - | 320 | - | 381 | 12,7 | 45,7 | 457 | 450 |
| 21334-15-5050041 | 35 | 224 | 384 | - | 128 | - | - | - | 431 | 12,7 | 45,7 | 508 | 500 |
| 21334-15-5055041 | 35 | 224 | 416 | - | 128 | - | 416 | - | 481 | 12,7 | 45,7 | 559 | 550 |
| 21334-15-5060041 | 35 | 224 | 352 | 480 | 128 | 224 | 416 | - | 531 | 12,7 | 45,7 | 610 | 600 |
| 21334-15-5065041 | 35 | 224 | 352 | 512 | 128 | 224 | 416 | 544 | 581 | 12,7 | 45,7 | 660 | 650 |



| Order No. | Form | Form-Type | Assembly | Product type | Close/open force N per rail | Load capacity per pair (80,000 cycles) kg | Loading pair (10,000 cycles) kg | Packaging type |
|------------------|------|-----------------|---------------|--------------|--------------------------------|---|---------------------------------------|------------------|
| 21334-15-5030027 | E | self-retraction | side mounting | standard | 14-27 | 42 | 48 | 1 piece = 1 pair |
| 21334-15-5035027 | E | self-retraction | side mounting | standard | 14-27 | 43 | 49 | 1 piece = 1 pair |
| 21334-15-5040027 | E | self-retraction | side mounting | standard | 14-27 | 44 | 50 | 1 piece = 1 pair |
| 21334-15-5045027 | E | self-retraction | side mounting | standard | 14-27 | 45 | 50 | 1 piece = 1 pair |
| 21334-15-5050027 | E | self-retraction | side mounting | standard | 14-27 | 45 | 50 | 1 piece = 1 pair |
| 21334-15-5055027 | E | self-retraction | side mounting | standard | 14-27 | 45 | 50 | 1 piece = 1 pair |
| 21334-15-5060027 | E | self-retraction | side mounting | standard | 14-27 | 45 | 50 | 1 piece = 1 pair |
| 21334-15-5065027 | E | self-retraction | side mounting | standard | 14-27 | 44 | 49 | 1 piece = 1 pair |
| 21334-15-5030041 | E | self-retraction | side mounting | standard | 27-41 | 42 | 48 | 1 piece = 1 pair |
| 21334-15-5035041 | E | self-retraction | side mounting | standard | 27-41 | 43 | 49 | 1 piece = 1 pair |
| 21334-15-5040041 | E | self-retraction | side mounting | standard | 27-41 | 44 | 50 | 1 piece = 1 pair |
| 21334-15-5045041 | E | self-retraction | side mounting | standard | 27-41 | 45 | 50 | 1 piece = 1 pair |
| 21334-15-5050041 | E | self-retraction | side mounting | standard | 27-41 | 45 | 50 | 1 piece = 1 pair |
| 21334-15-5055041 | E | self-retraction | side mounting | standard | 27-41 | 45 | 50 | 1 piece = 1 pair |
| 21334-15-5060041 | E | self-retraction | side mounting | standard | 27-41 | 45 | 50 | 1 piece = 1 pair |
| 21334-15-5065041 | E | self-retraction | side mounting | standard | 27-41 | 44 | 49 | 1 piece = 1 pair |

| Order No. | A | A1 | A2 | A3 | A4 | A5 | A6 | A7 | A8 | B | H | Travel S | L |
|------------------|----|-----|-----|-----|-----|-----|-----|-----|-----|------|------|-------------|-----|
| 21334-15-5030027 | 35 | - | - | - | - | - | - | - | 231 | 12,7 | 45,7 | 286 | 300 |
| 21334-15-5035027 | 35 | 224 | - | - | 128 | - | - | - | 281 | 12,7 | 45,7 | 356 | 350 |
| 21334-15-5040027 | 35 | 224 | 288 | - | 128 | - | - | - | 331 | 12,7 | 45,7 | 406 | 400 |
| 21334-15-5045027 | 35 | 224 | 320 | - | 128 | - | 320 | - | 381 | 12,7 | 45,7 | 457 | 450 |
| 21334-15-5050027 | 35 | 224 | 384 | - | 128 | - | - | - | 431 | 12,7 | 45,7 | 508 | 500 |
| 21334-15-5055027 | 35 | 224 | 416 | - | 128 | - | 416 | - | 481 | 12,7 | 45,7 | 559 | 550 |
| 21334-15-5060027 | 35 | 224 | 352 | 480 | 128 | 224 | 416 | - | 531 | 12,7 | 45,7 | 610 | 600 |
| 21334-15-5065027 | 35 | 224 | 352 | 512 | 128 | 224 | 416 | 544 | 581 | 12,7 | 45,7 | 660 | 650 |
| 21334-15-5030041 | 35 | - | - | - | - | - | - | - | 231 | 12,7 | 45,7 | 286 | 300 |
| 21334-15-5035041 | 35 | 224 | - | - | 128 | - | - | - | 281 | 12,7 | 45,7 | 356 | 350 |
| 21334-15-5040041 | 35 | 224 | 288 | - | 128 | - | - | - | 331 | 12,7 | 45,7 | 406 | 400 |
| 21334-15-5045041 | 35 | 224 | 320 | - | 128 | - | 320 | - | 381 | 12,7 | 45,7 | 457 | 450 |
| 21334-15-5050041 | 35 | 224 | 384 | - | 128 | - | - | - | 431 | 12,7 | 45,7 | 508 | 500 |
| 21334-15-5055041 | 35 | 224 | 416 | - | 128 | - | 416 | - | 481 | 12,7 | 45,7 | 559 | 550 |
| 21334-15-5060041 | 35 | 224 | 352 | 480 | 128 | 224 | 416 | - | 531 | 12,7 | 45,7 | 610 | 600 |
| 21334-15-5065041 | 35 | 224 | 352 | 512 | 128 | 224 | 416 | 544 | 581 | 12,7 | 45,7 | 660 | 650 |



Montageanleitung 21334-15, Form E Installation instruction 21334-15, Form E

DE EN

Es sind alle Befestigungspositionen zu verwenden, damit der maximale Lastwert erzielt wird.

- * *Langlöcher nur in Längen, die den Aufsteckwinkel aufnehmen.*
- † *Aufliegende und Tablarmontage siehe umseitig.*
- †† *Aufliegende Montage.*
- ††† *Tablarmontage.*
- § *Hält den Kugelkäfig während der Schubladenbefestigung vorne.*

All fixings positions must be used to achieve maximum load rating.

- * *Key slots and central cut-out only on lengths which accommodate the bottom bracket.*
- † *See overleaf for Bottom Mount and Platform Mount.*
- †† *Bottom Mount.*
- ††† *Platform Mount.*
- § *Hold ball bearing retainer in forward position during installation of drawer.*

