

Item description/product images



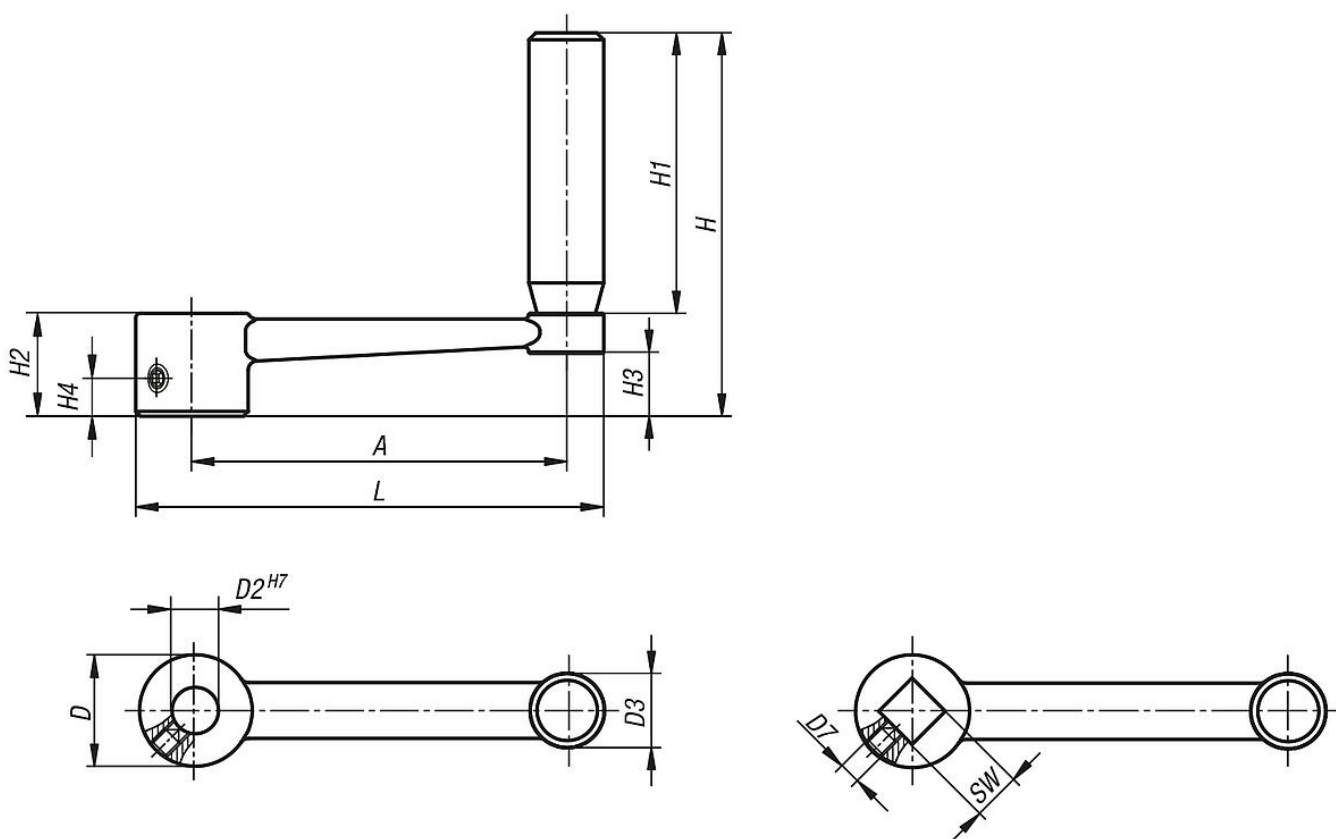
Description

Version:
Bright.

Note:
Similar to DIN 469.
Versions with transverse bore are secured using the ISO 4027 (DIN 914) grub screw.



Drawings



Overview of items

Crank handles stainless steel with cylindrical revolving grip

Order No.	Version 1	Version 2	A	D	D2	D3	D7	H	H1	H2	H3	H4	L	SW
06505-3110	reamed hole	without transverse hole	80	24	10	16	-	82	60	22	13,4	-	100	-
06505-3212	reamed hole	without transverse hole	100	28	12	20	-	98	72	26	16	-	124	-
06505-3314	reamed hole	without transverse hole	125	30	14	26	-	118	90	28	15,8	-	153	-
06505-3417	reamed hole	without transverse hole	160	34	17	26	-	122	90	32	19,6	-	190	-
06505-31106	reamed hole	with transverse bore	80	24	10	16	M6	82	60	22	13,4	7,5	100	-
06505-32126	reamed hole	with transverse bore	100	28	12	20	M6	98	72	26	16	7,5	124	-
06505-33146	reamed hole	with transverse bore	125	30	14	26	M6	118	90	28	15,8	7,5	153	-

Overview of items

Order No.	Version 1	Version 2	A	D	D2	D3	D7	H	H1	H2	H3	H4	L	SW
06505-34176	reamed hole	with transverse bore	160	34	17	26	M6	122	90	32	19,6	7,5	190	-
06505-4110	square socket	without transverse hole	80	24	-	16	-	82	60	22	13,4	-	100	10
06505-4212	square socket	without transverse hole	100	28	-	20	-	98	72	26	16	-	124	12
06505-4314	square socket	without transverse hole	125	30	-	26	-	118	90	28	15,8	-	153	14
06505-4417	square socket	without transverse hole	160	34	-	26	-	122	90	32	19,6	-	190	17
06505-41106	square socket	with transverse bore	80	24	-	16	M6	82	60	22	13,4	7,5	100	10
06505-42126	square socket	with transverse bore	100	28	-	20	M6	98	72	26	16	7,5	124	12
06505-43146	square socket	with transverse bore	125	30	-	26	M6	118	90	28	15,8	7,5	153	14
06505-44176	square socket	with transverse bore	160	34	-	26	M6	122	90	32	19,6	7,5	190	17