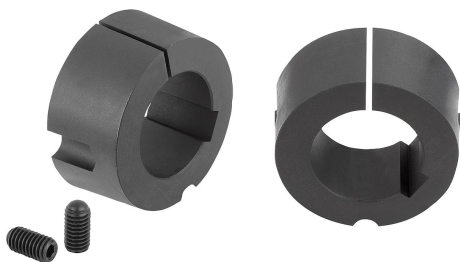


Item description/product images



Description

Material:

Grey cast iron or steel.

Version:

Phosphated

Note:

The taper clamping bushes enable easy and rapid mounting and removal of pulleys. The wide range of bore sizes available enable immediate mounting without any time-consuming and costly internal or external machining. The bushes have DIN 6885/1 keyways in addition to the locking screws. These taper clamping bushes are interchangeable with all other similar commercial types.

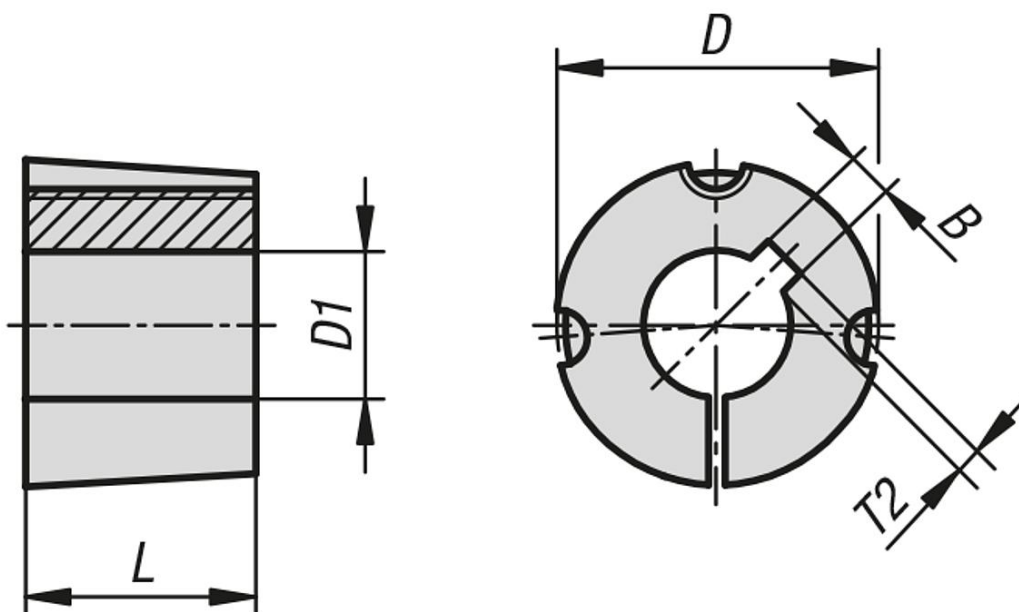
Assembly:

Installation must be carried out according to the enclosed user information.

Accessory:

Supplied complete with screws.

Drawings



Overview of items

Order No.	Version 1	Main material	L	B	D	D1	T2	for screw	Tightening torque of clamping screws (Nm)
23200-0351122	type 1008	grey cast iron	22,3	4	35	11	1,8	1/4 BSW	5,5
23200-0351222	type 1008	grey cast iron	22,3	4	35	12	1,8	1/4 BSW	5,5
23200-0351422	type 1008	grey cast iron	22,3	5	35	14	2,3	1/4 BSW	5,5
23200-0351522	type 1008	grey cast iron	22,3	5	35	15	2,3	1/4 BSW	5,5
23200-0351622	type 1008	grey cast iron	22,3	5	35	16	2,3	1/4 BSW	5,5
23200-0351822	type 1008	grey cast iron	22,3	6	35	18	2,8	1/4 BSW	5,5
23200-0351922	type 1008	grey cast iron	22,3	6	35	19	2,8	1/4 BSW	5,5
23200-0352022	type 1008	grey cast iron	22,3	6	35	20	2,8	1/4 BSW	5,5

Overview of items

Order No.	Version 1	Main material	L	B	D	D1	T2	for screw	Tightening torque of clamping screws (Nm)
23200-0352222	type 1008	grey cast iron	22,3	6	35	22	2,8	1/4 BSW	5,5
23200-0381122	type 1108	grey cast iron	22,3	4	38	11	1,8	1/4 BSW	5,5
23200-0381222	type 1108	grey cast iron	22,3	4	38	12	1,8	1/4 BSW	5,5
23200-0381422	type 1108	grey cast iron	22,3	5	38	14	2,3	1/4 BSW	5,5
23200-0381522	type 1108	grey cast iron	22,3	5	38	15	2,3	1/4 BSW	5,5
23200-0381622	type 1108	grey cast iron	22,3	5	38	16	2,3	1/4 BSW	5,5
23200-0381722	type 1108	grey cast iron	22,3	5	38	17	2,3	1/4 BSW	5,5
23200-0381822	type 1108	grey cast iron	22,3	6	38	18	2,8	1/4 BSW	5,5
23200-0381922	type 1108	grey cast iron	22,3	6	38	19	2,8	1/4 BSW	5,5
23200-0382022	type 1108	grey cast iron	22,3	6	38	20	2,8	1/4 BSW	5,5
23200-0382222	type 1108	grey cast iron	22,3	6	38	22	2,8	1/4 BSW	5,5
23200-0382422	type 1108	grey cast iron	22,3	8	38	24	2,3	1/4 BSW	5,5
23200-0382522	type 1108	grey cast iron	22,3	8	38	25	2,3	1/4 BSW	5,5
23200-0382622	type 1108	grey cast iron	22,3	8	38	26	2,3	1/4 BSW	5,5
23200-0471125	type 1210	grey cast iron	25,4	4	47	11	1,8	3/8 BSW	20
23200-0471225	type 1210	grey cast iron	25,4	4	47	12	1,8	3/8 BSW	20
23200-0471425	type 1210	grey cast iron	25,4	5	47	14	2,3	3/8 BSW	20
23200-0471525	type 1210	grey cast iron	25,4	5	47	15	2,3	3/8 BSW	20
23200-0471625	type 1210	grey cast iron	25,4	5	47	16	2,3	3/8 BSW	20
23200-0471825	type 1210	grey cast iron	25,4	6	47	18	2,8	3/8 BSW	20
23200-0471925	type 1210	grey cast iron	25,4	6	47	19	2,8	3/8 BSW	20
23200-0472025	type 1210	grey cast iron	25,4	6	47	20	2,8	3/8 BSW	20
23200-0472225	type 1210	grey cast iron	25,4	6	47	22	2,8	3/8 BSW	20
23200-0472425	type 1210	grey cast iron	25,4	8	47	24	3,3	3/8 BSW	20
23200-0472525	type 1210	grey cast iron	25,4	8	47	25	3,3	3/8 BSW	20
23200-0472625	type 1210	grey cast iron	25,4	8	47	26	3,3	3/8 BSW	20
23200-0472825	type 1210	grey cast iron	25,4	8	47	28	3,3	3/8 BSW	20
23200-0473025	type 1210	steel	25,4	8	47	30	3,3	3/8 BSW	20
23200-0473225	type 1210	steel	25,4	10	47	32	2,3	3/8 BSW	20
23200-0571225	type 1610	grey cast iron	25,4	4	57	12	1,8	3/8 BSW	20
23200-0571425	type 1610	grey cast iron	25,4	5	57	14	2,3	3/8 BSW	20
23200-0571525	type 1610	grey cast iron	25,4	5	57	15	2,3	3/8 BSW	20
23200-0571625	type 1610	grey cast iron	25,4	5	57	16	2,3	3/8 BSW	20
23200-0571825	type 1610	grey cast iron	25,4	6	57	18	2,8	3/8 BSW	20
23200-0571925	type 1610	grey cast iron	25,4	6	57	19	2,8	3/8 BSW	20
23200-0572025	type 1610	grey cast iron	25,4	6	57	20	2,8	3/8 BSW	20
23200-0572225	type 1610	grey cast iron	25,4	6	57	22	2,8	3/8 BSW	20
23200-0572425	type 1610	grey cast iron	25,4	8	57	24	3,3	3/8 BSW	20
23200-0572525	type 1610	grey cast iron	25,4	8	57	25	3,3	3/8 BSW	20
23200-0572625	type 1610	grey cast iron	25,4	8	57	26	3,3	3/8 BSW	20
23200-0572825	type 1610	grey cast iron	25,4	8	57	28	3,3	3/8 BSW	20
23200-0573025	type 1610	grey cast iron	25,4	8	57	30	3,3	3/8 BSW	20
23200-0573225	type 1610	grey cast iron	25,4	10	57	32	3,3	3/8 BSW	20
23200-0573525	type 1610	grey cast iron	25,4	10	57	35	3,3	3/8 BSW	20
23200-0573825	type 1610	grey cast iron	25,4	10	57	38	3,3	3/8 BSW	20
23200-0574025	type 1610	steel	25,4	12	57	40	2,3	3/8 BSW	20
23200-0574225	type 1610	steel	25,4	12	57	42	2,3	3/8 BSW	20
23200-0571238	type 1615	grey cast iron	38,1	4	57	12	1,8	3/8 BSW	20
23200-0571438	type 1615	grey cast iron	38,1	5	57	14	2,3	3/8 BSW	20
23200-0571538	type 1615	grey cast iron	38,1	5	57	15	2,3	3/8 BSW	20
23200-0571638	type 1615	grey cast iron	38,1	5	57	16	2,3	3/8 BSW	20
23200-0571838	type 1615	grey cast iron	38,1	6	57	18	2,8	3/8 BSW	20
23200-0571938	type 1615	grey cast iron	38,1	6	57	19	2,8	3/8 BSW	20
23200-0572038	type 1615	grey cast iron	38,1	6	57	20	2,8	3/8 BSW	20
23200-0572238	type 1615	grey cast iron	38,1	6	57	22	2,8	3/8 BSW	20
23200-0572438	type 1615	grey cast iron	38,1	8	57	24	3,3	3/8 BSW	20
23200-0572538	type 1615	grey cast iron	38,1	8	57	25	3,3	3/8 BSW	20
23200-0572638	type 1615	grey cast iron	38,1	8	57	26	3,3	3/8 BSW	20
23200-0572838	type 1615	grey cast iron	38,1	8	57	28	3,3	3/8 BSW	20
23200-0573038	type 1615	grey cast iron	38,1	8	57	30	3,3	3/8 BSW	20
23200-0573238	type 1615	grey cast iron	38,1	10	57	32	3,3	3/8 BSW	20
23200-0573538	type 1615	grey cast iron	38,1	10	57	35	3,3	3/8 BSW	20
23200-0573838	type 1615	grey cast iron	38,1	10	57	38	3,3	3/8 BSW	20
23200-0574038	type 1615	steel	38,1	12	57	40	2,3	3/8 BSW	20

Overview of items

Order No.	Version 1	Main material	L	B	D	D1	T2	for screw	Tightening torque of clamping screws (Nm)
23200-0701431	type 2012	grey cast iron	31,8	5	70	14	2,3	7/16 BSW	30
23200-0701631	type 2012	grey cast iron	31,8	5	70	16	2,3	7/16 BSW	30
23200-0701831	type 2012	grey cast iron	31,8	6	70	18	2,8	7/16 BSW	30
23200-0701931	type 2012	grey cast iron	31,8	6	70	19	2,8	7/16 BSW	30
23200-0702031	type 2012	grey cast iron	31,8	6	70	20	2,8	7/16 BSW	30
23200-0702231	type 2012	grey cast iron	31,8	6	70	22	2,8	7/16 BSW	30
23200-0702431	type 2012	grey cast iron	31,8	8	70	24	3,3	7/16 BSW	30
23200-0702531	type 2012	grey cast iron	31,8	8	70	25	3,3	7/16 BSW	30
23200-0702631	type 2012	grey cast iron	31,8	8	70	26	3,3	7/16 BSW	30
23200-0702831	type 2012	grey cast iron	31,8	8	70	28	3,3	7/16 BSW	30
23200-0703031	type 2012	grey cast iron	31,8	8	70	30	3,3	7/16 BSW	30
23200-0703231	type 2012	grey cast iron	31,8	10	70	32	3,3	7/16 BSW	30
23200-0703531	type 2012	grey cast iron	31,8	10	70	35	3,3	7/16 BSW	30
23200-0703831	type 2012	grey cast iron	31,8	10	70	38	3,3	7/16 BSW	30
23200-0704031	type 2012	grey cast iron	31,8	12	70	40	3,3	7/16 BSW	30
23200-0704231	type 2012	grey cast iron	31,8	12	70	42	3,3	7/16 BSW	30
23200-0704531	type 2012	grey cast iron	31,8	14	70	45	3,8	7/16 BSW	30
23200-0704831	type 2012	grey cast iron	31,8	14	70	48	3,8	7/16 BSW	30
23200-0705031	type 2012	steel	31,8	14	70	50	3,8	7/16 BSW	30
23200-0851844	type 2517	grey cast iron	44,5	6	85	18	2,8	1/2 BSW	50
23200-0851944	type 2517	grey cast iron	44,5	6	85	19	2,8	1/2 BSW	50
23200-0852044	type 2517	grey cast iron	44,5	6	85	20	2,8	1/2 BSW	50
23200-0852244	type 2517	grey cast iron	44,5	6	85	22	2,8	1/2 BSW	50
23200-0852444	type 2517	grey cast iron	44,5	8	85	24	3,3	1/2 BSW	50
23200-0852544	type 2517	grey cast iron	44,5	8	85	25	3,3	1/2 BSW	50
23200-0852844	type 2517	grey cast iron	44,5	8	85	28	3,3	1/2 BSW	50
23200-0853044	type 2517	grey cast iron	44,5	8	85	30	3,3	1/2 BSW	50
23200-0853244	type 2517	grey cast iron	44,5	10	85	32	3,3	1/2 BSW	50
23200-0853544	type 2517	grey cast iron	44,5	10	85	35	3,3	1/2 BSW	50
23200-0853844	type 2517	grey cast iron	44,5	10	85	38	3,3	1/2 BSW	50
23200-0854044	type 2517	grey cast iron	44,5	12	85	40	3,3	1/2 BSW	50
23200-0854244	type 2517	grey cast iron	44,5	12	85	42	3,3	1/2 BSW	50
23200-0854544	type 2517	grey cast iron	44,5	14	85	45	3,8	1/2 BSW	50
23200-0854844	type 2517	grey cast iron	44,5	14	85	48	3,8	1/2 BSW	50
23200-0855044	type 2517	grey cast iron	44,5	14	85	50	3,8	1/2 BSW	50
23200-0855544	type 2517	grey cast iron	44,5	16	85	55	4,3	1/2 BSW	50
23200-0856044	type 2517	grey cast iron	44,5	18	85	60	4,4	1/2 BSW	50
23200-1082250	type 3020	grey cast iron	50,8	6	108	22	2,8	5/8 BSW	90
23200-1082550	type 3020	grey cast iron	50,8	8	108	25	3,3	5/8 BSW	90
23200-1082850	type 3020	grey cast iron	50,8	8	108	28	3,3	5/8 BSW	90
23200-1083050	type 3020	grey cast iron	50,8	8	108	30	3,3	5/8 BSW	90
23200-1083250	type 3020	grey cast iron	50,8	10	108	32	3,3	5/8 BSW	90
23200-1083550	type 3020	grey cast iron	50,8	10	108	35	3,3	5/8 BSW	90
23200-1083850	type 3020	grey cast iron	50,8	10	108	38	3,3	5/8 BSW	90
23200-1084050	type 3020	grey cast iron	50,8	12	108	40	3,3	5/8 BSW	90
23200-1084250	type 3020	grey cast iron	50,8	12	108	42	3,3	5/8 BSW	90
23200-1084550	type 3020	grey cast iron	50,8	14	108	45	3,8	5/8 BSW	90
23200-1084850	type 3020	grey cast iron	50,8	14	108	48	3,8	5/8 BSW	90
23200-1085050	type 3020	grey cast iron	50,8	14	108	50	3,8	5/8 BSW	90
23200-1085550	type 3020	grey cast iron	50,8	16	108	55	4,3	5/8 BSW	90
23200-1086050	type 3020	grey cast iron	50,8	18	108	60	4,4	5/8 BSW	90
23200-1086550	type 3020	grey cast iron	50,8	18	108	65	4,4	5/8 BSW	90
23200-1087050	type 3020	grey cast iron	50,8	20	108	70	4,9	5/8 BSW	90
23200-1087550	type 3020	steel	50,8	20	108	75	4,9	5/8 BSW	90

